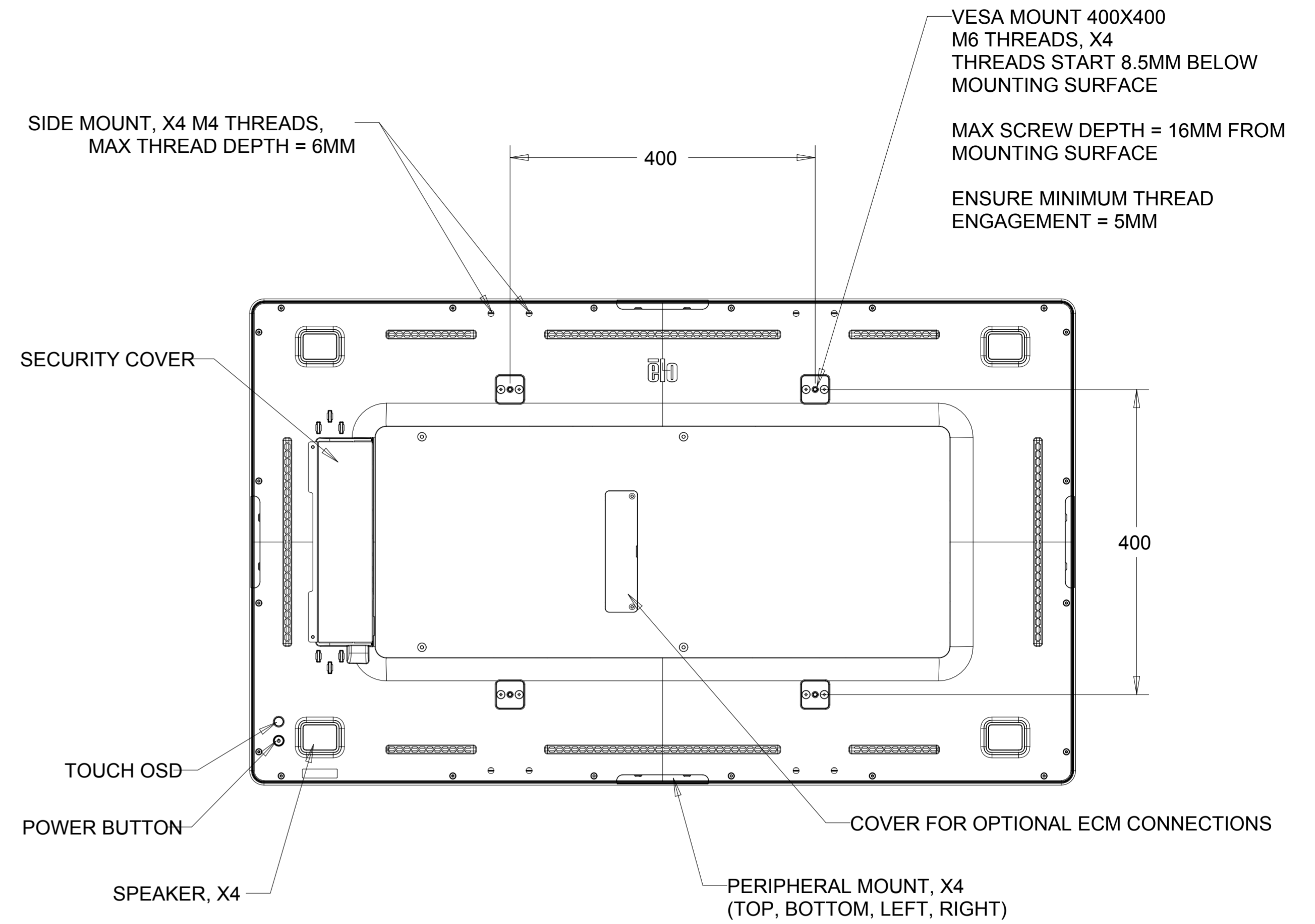
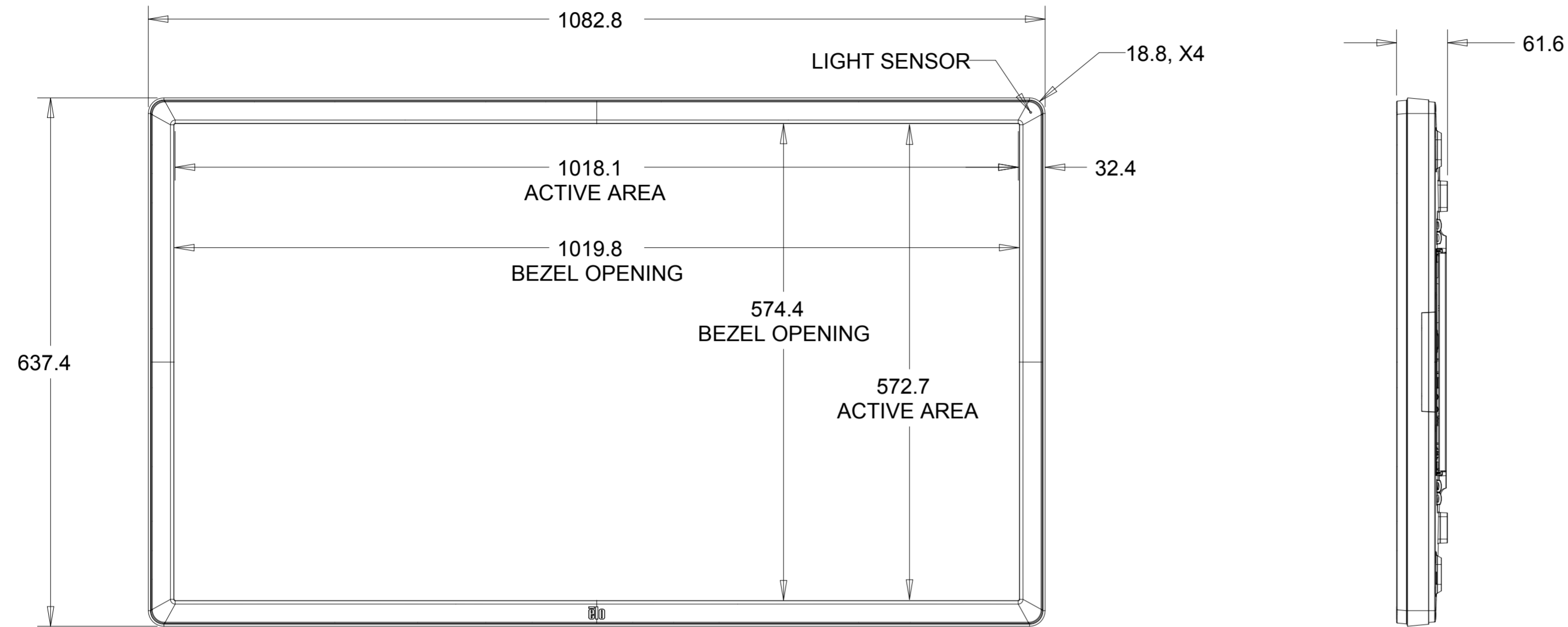
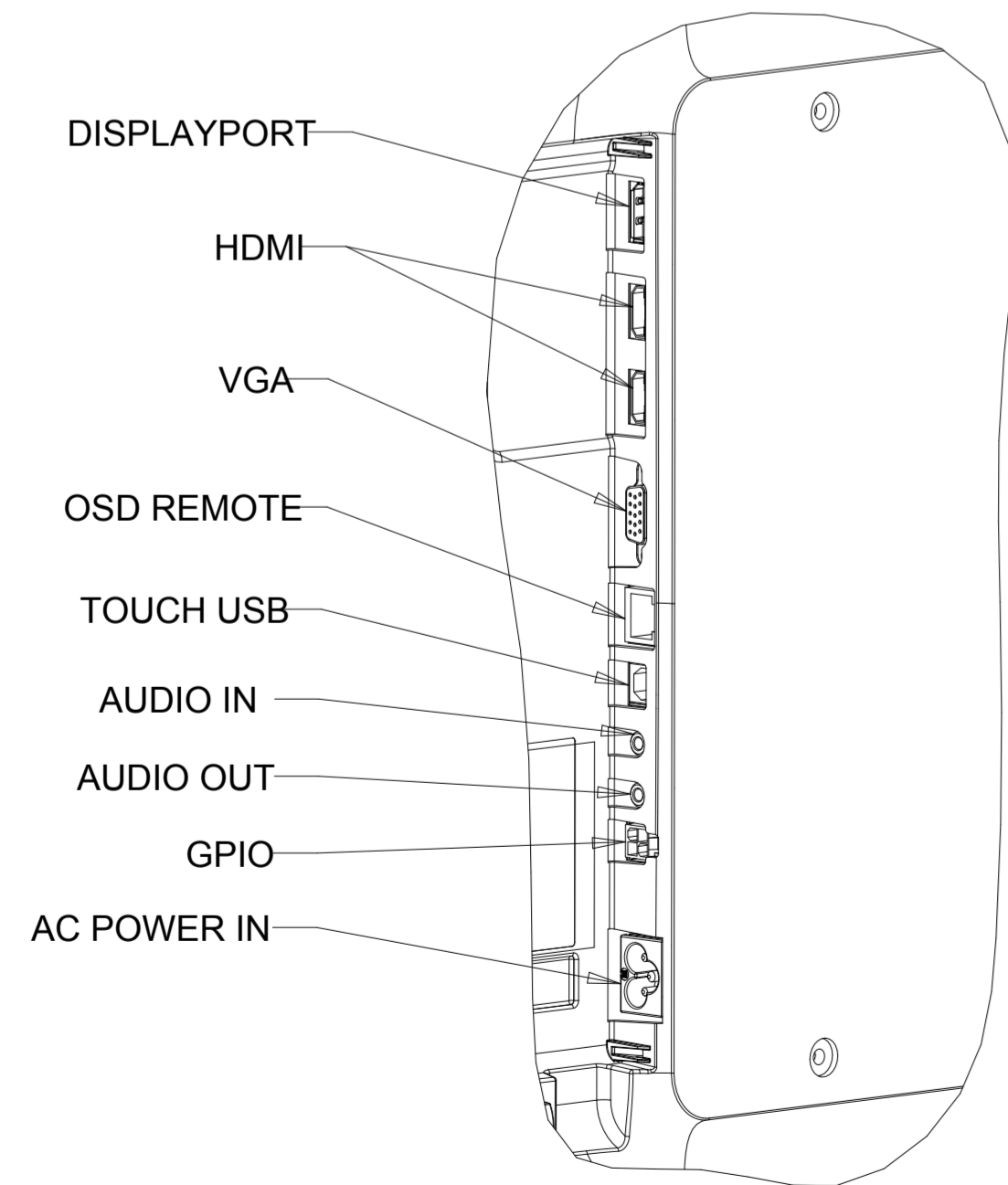


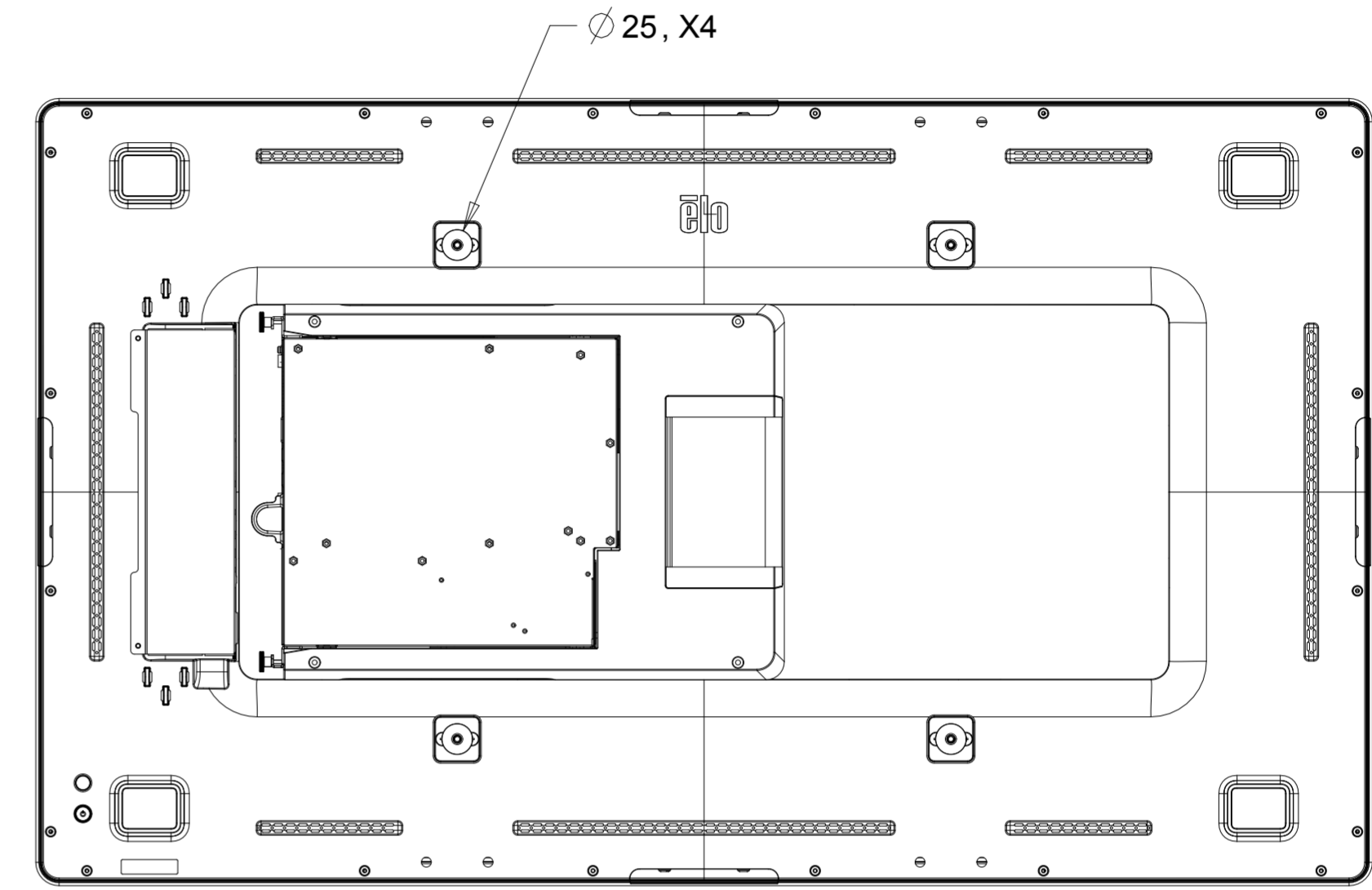
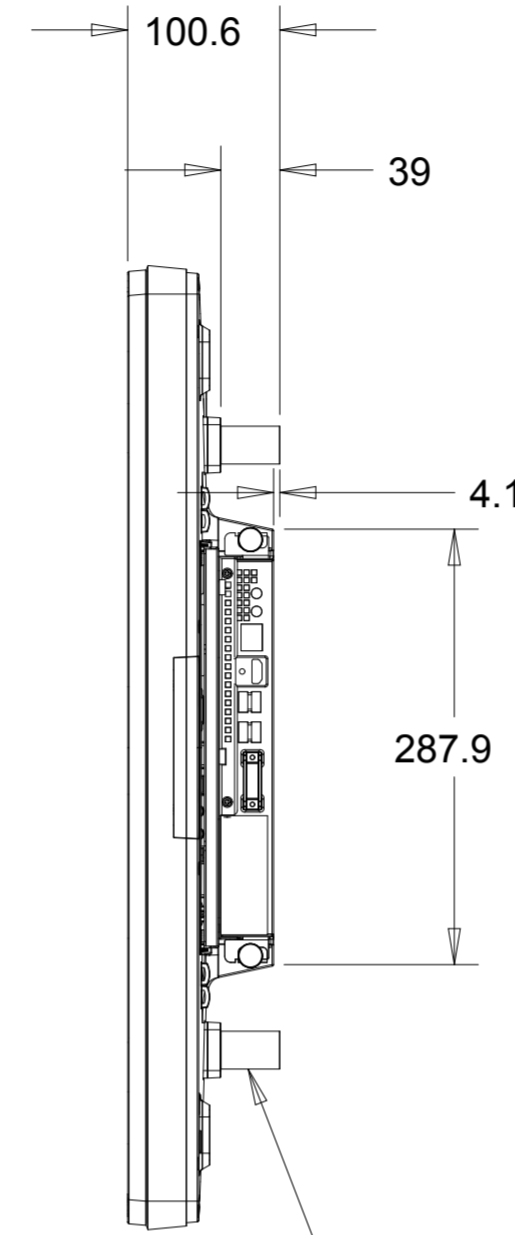
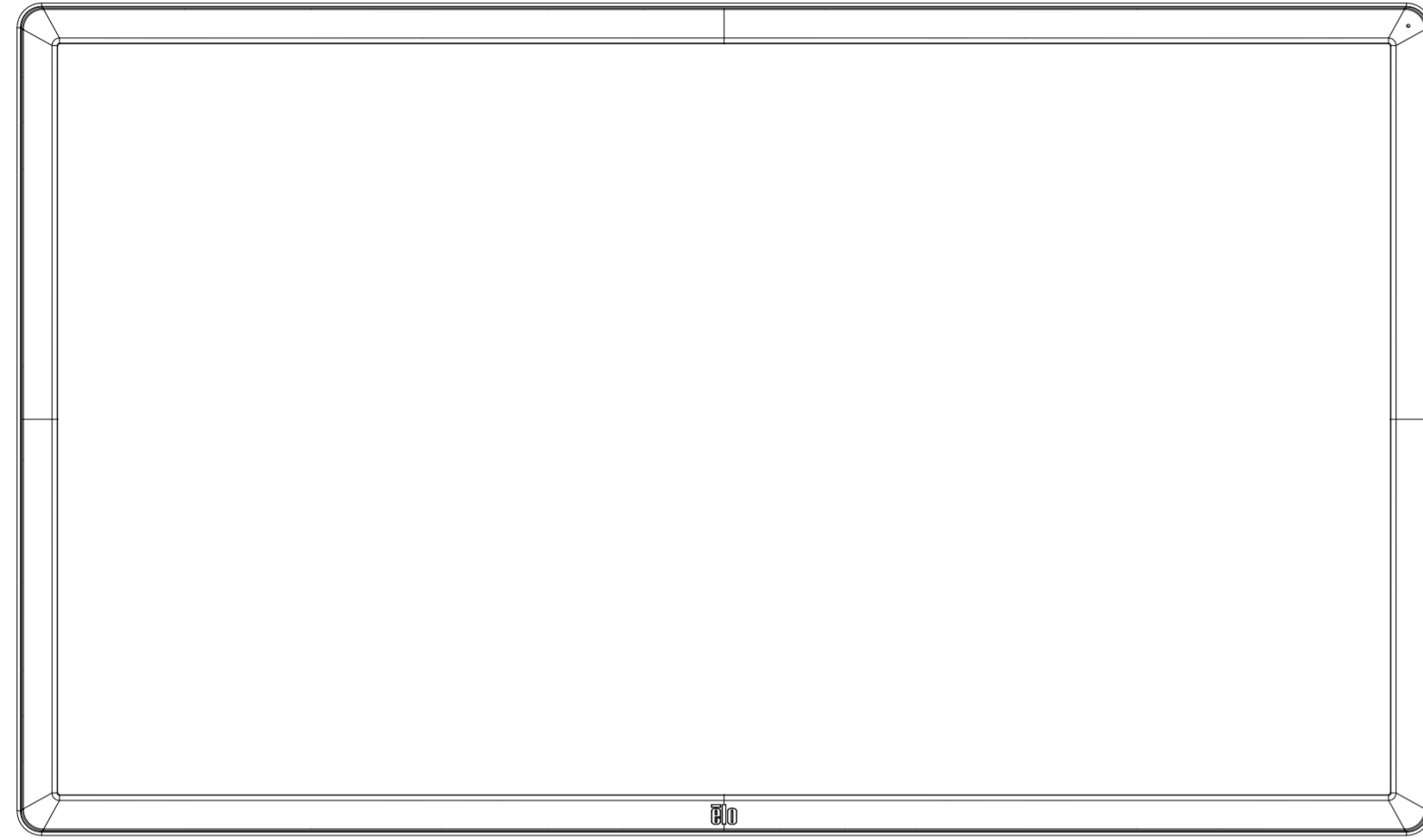
IR MODEL



I/O CONNECTIONS
(UNDER SECURITY COVER)

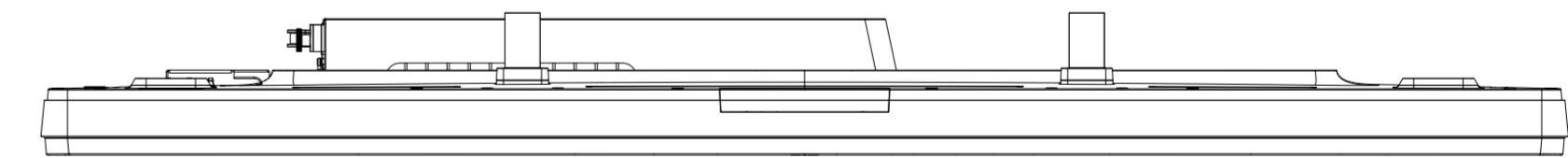
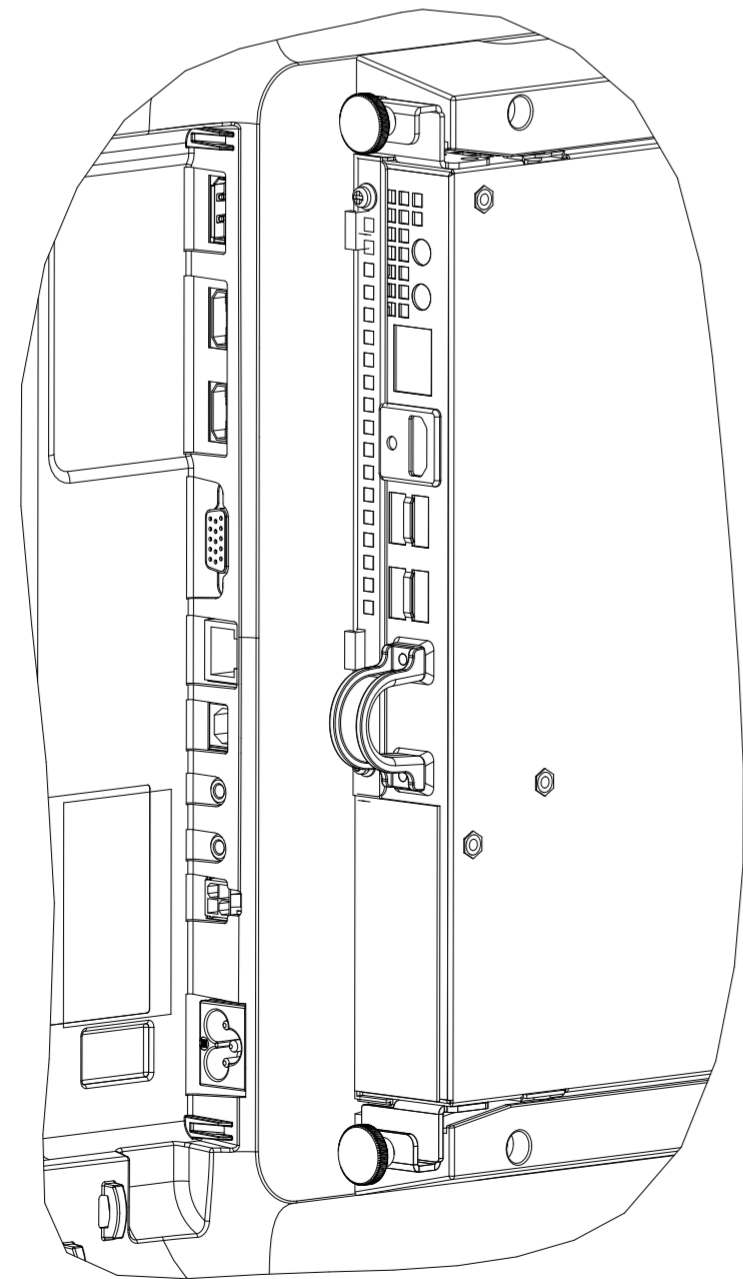


IR MODEL WITH OPTIONAL ECM KIT

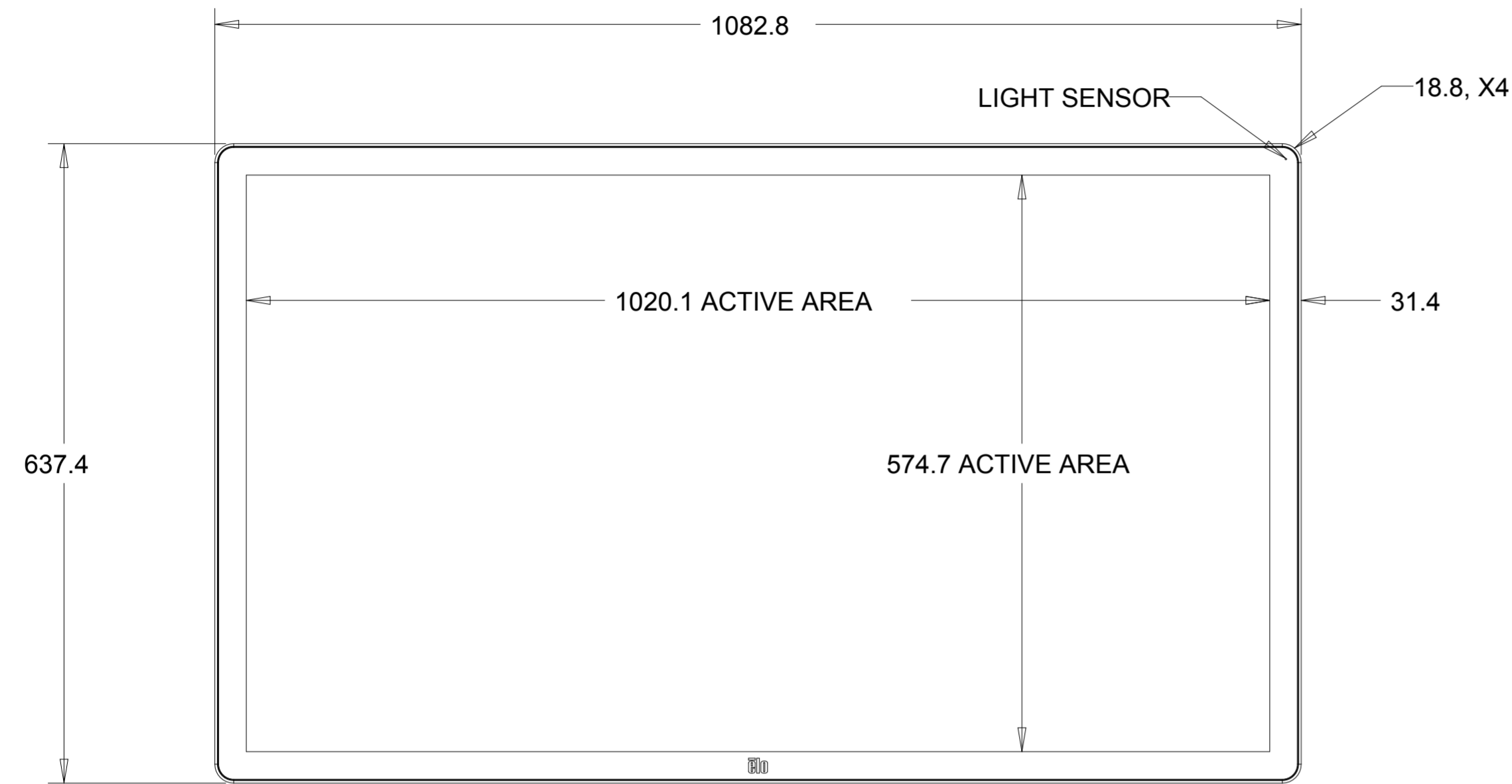


OPTIONAL EXTENSION SPACERS AND SCREWS (X4)
INCLUDED WITH ECM KIT

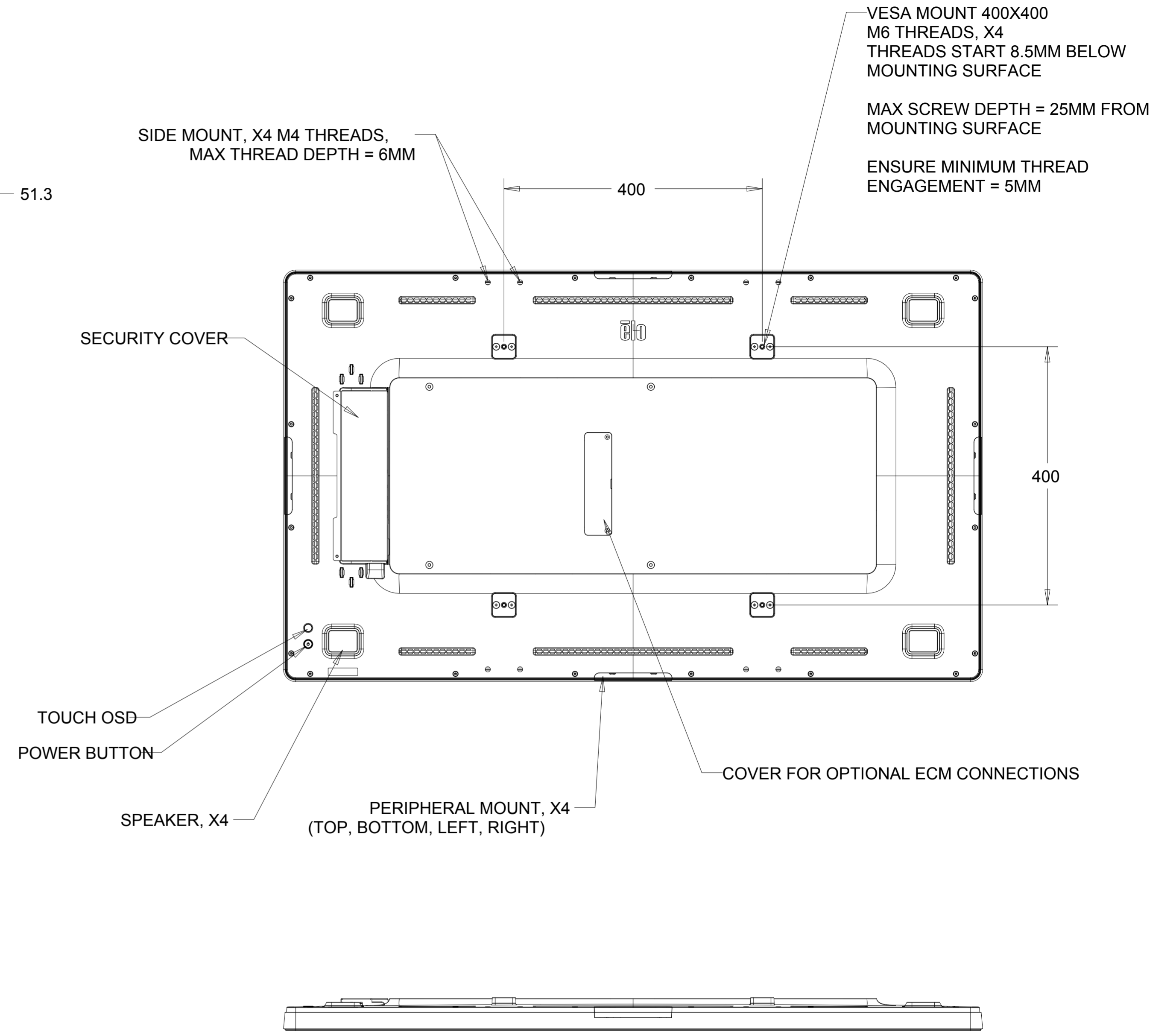
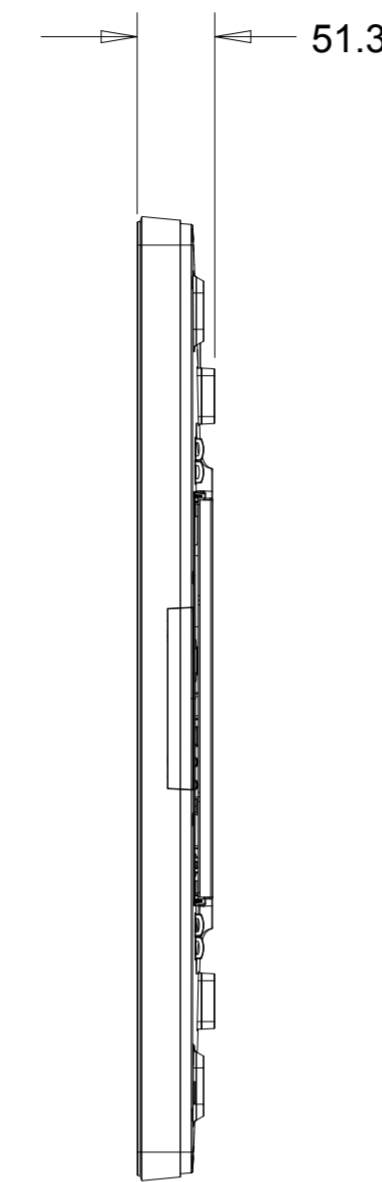
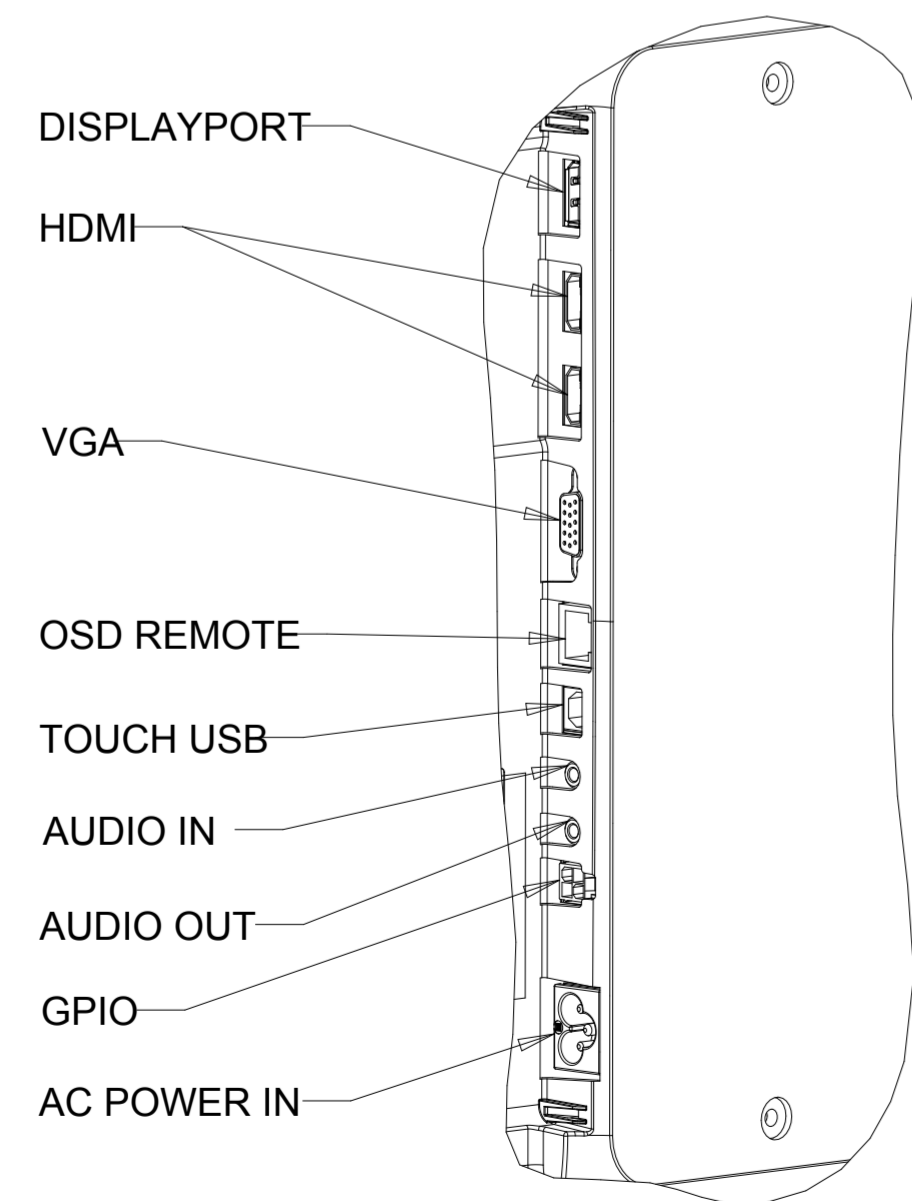
ECM CONNECTIONS ON SAME SIDE
AS IDS I/O CONNECTIONS



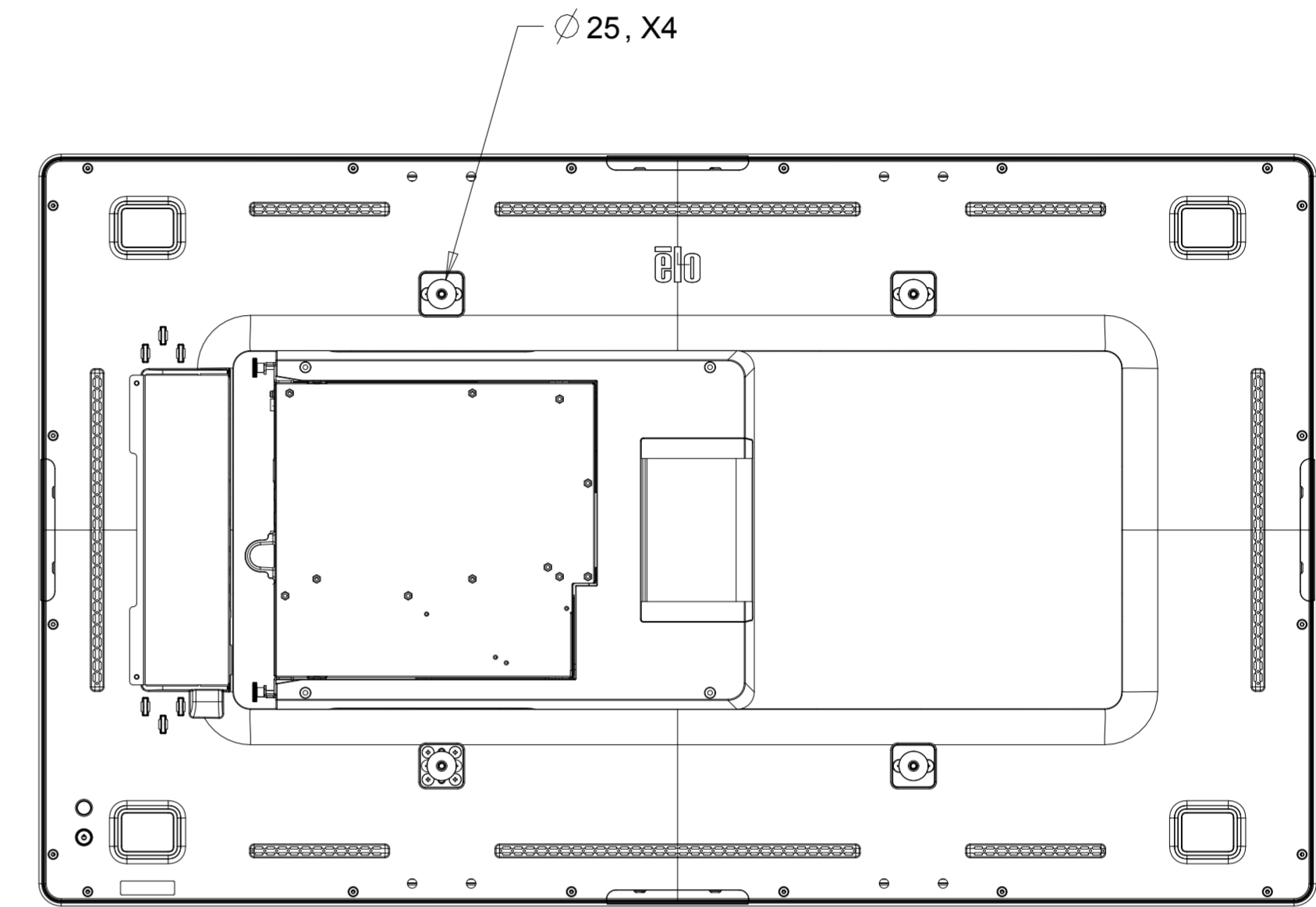
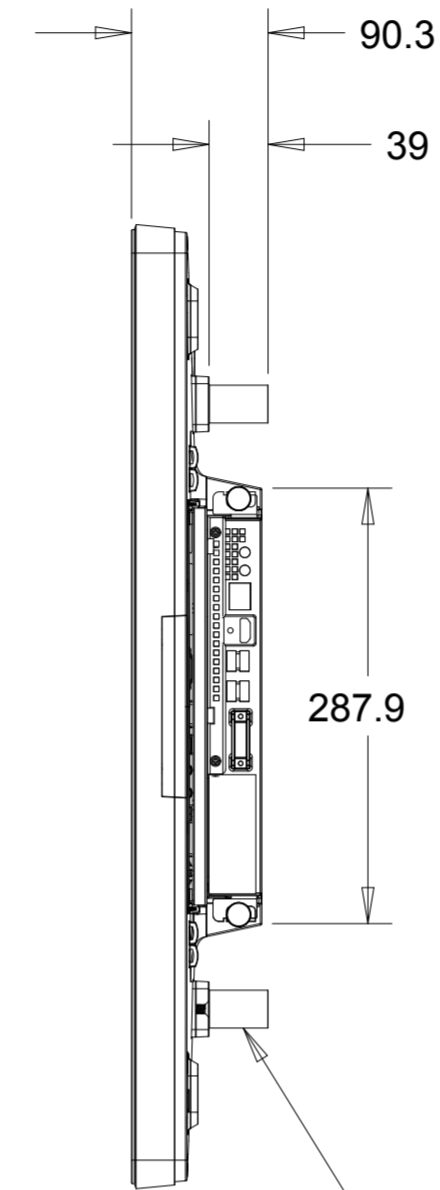
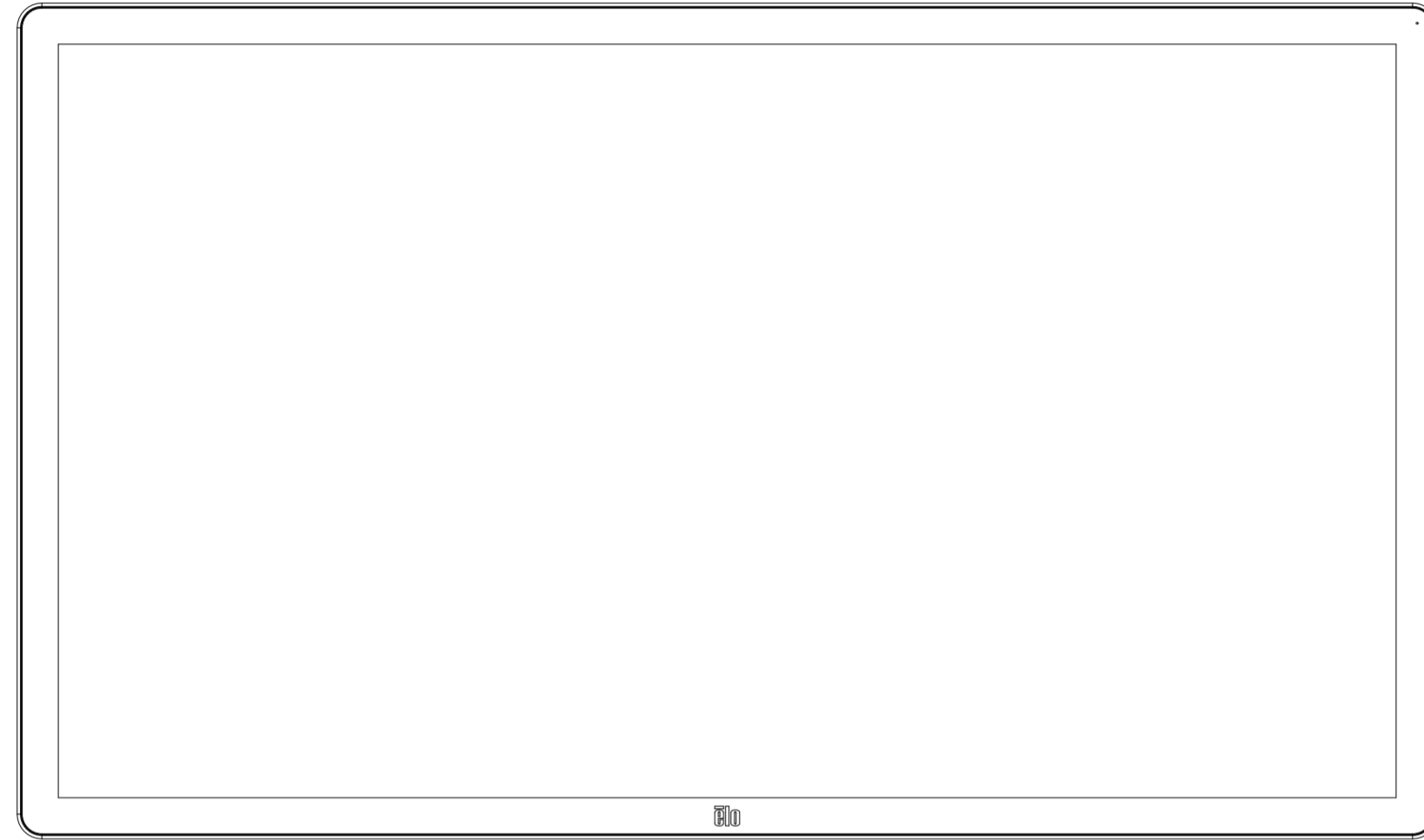
PROJECTED CAPACITIVE MODEL



I/O CONNECTIONS
(UNDER SECURITY COVER)

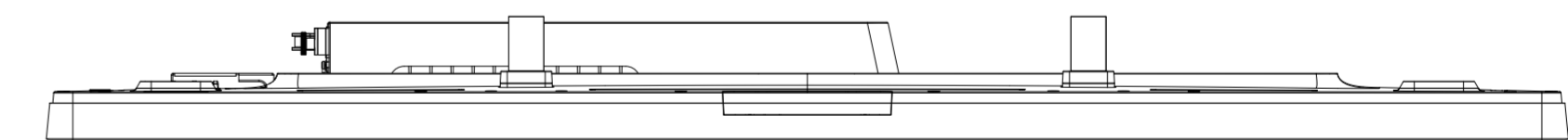
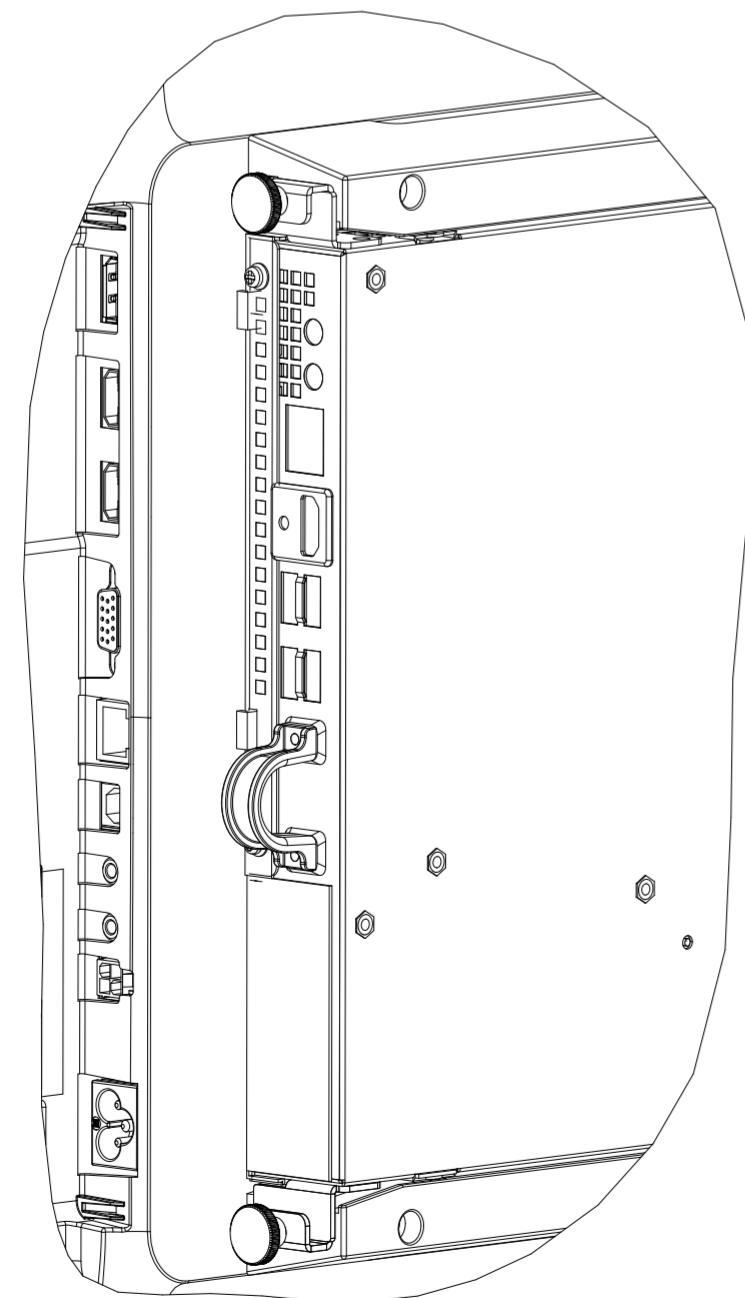


PROJECTED CAPACITIVE MODEL WITH OPTIONAL ECM KIT



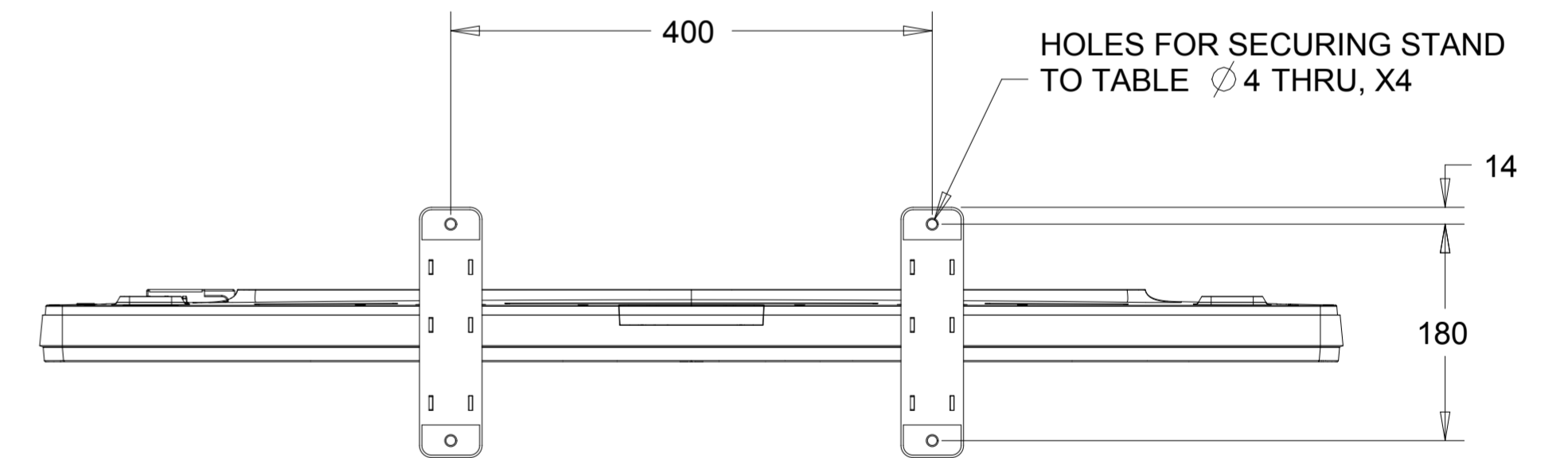
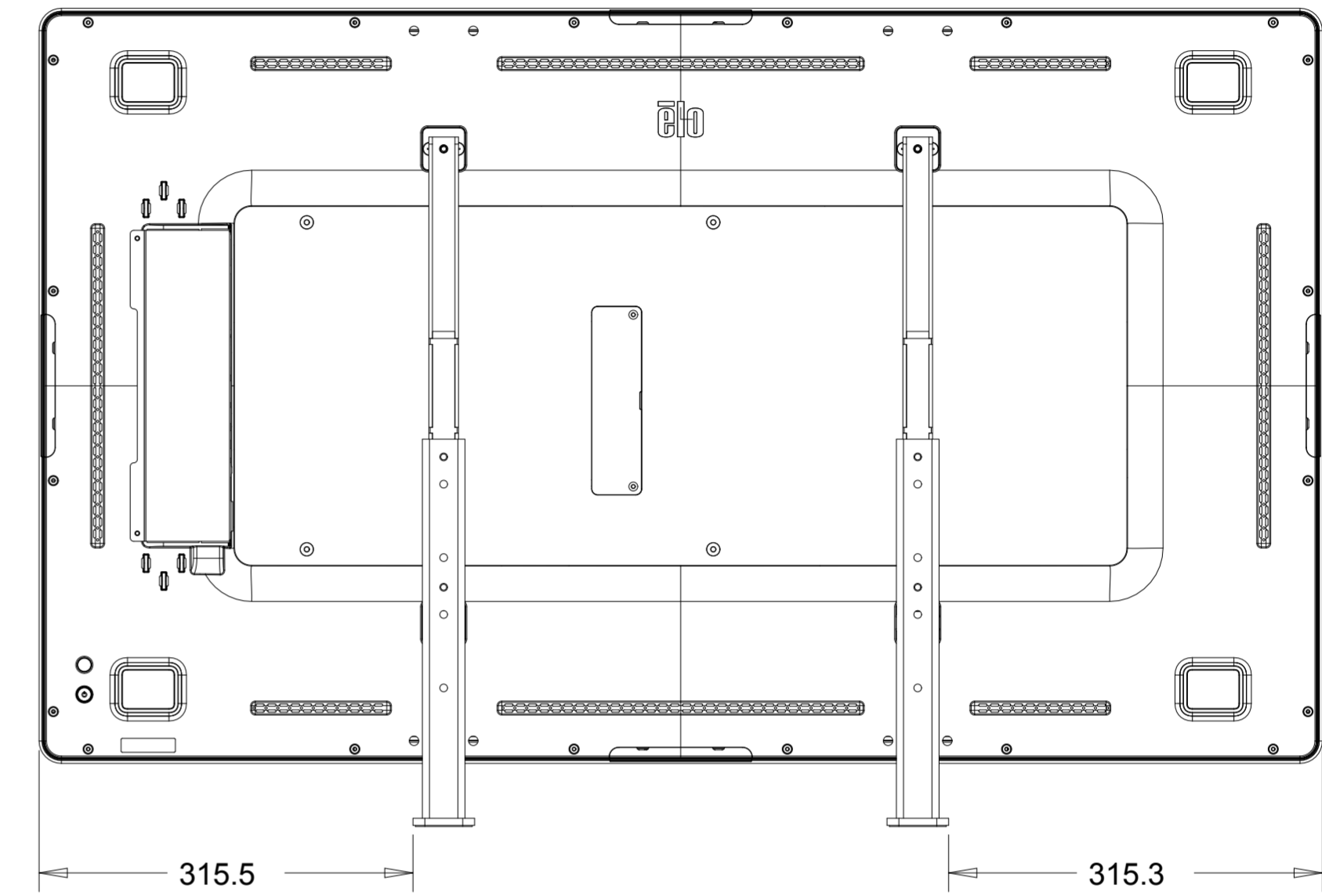
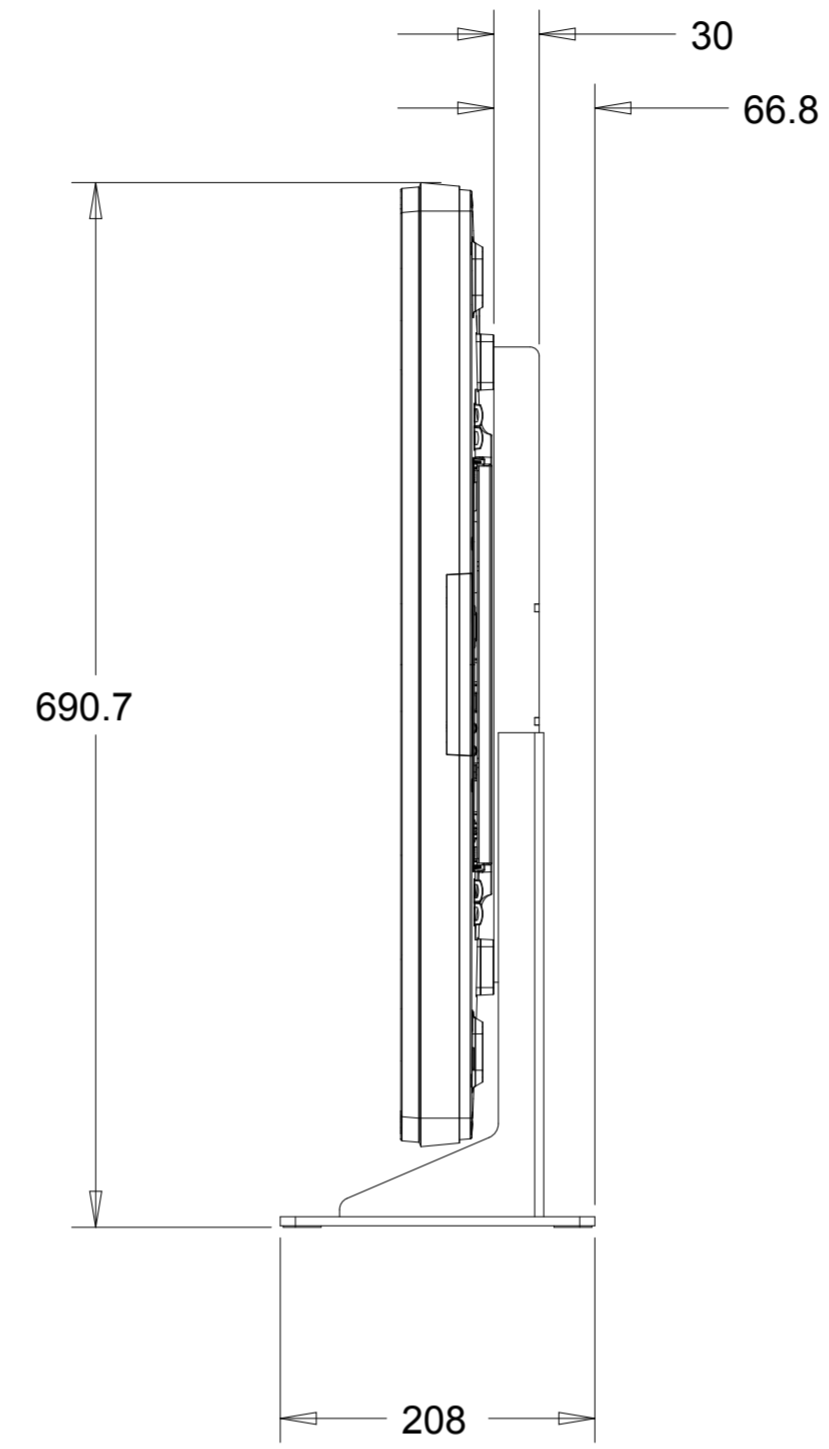
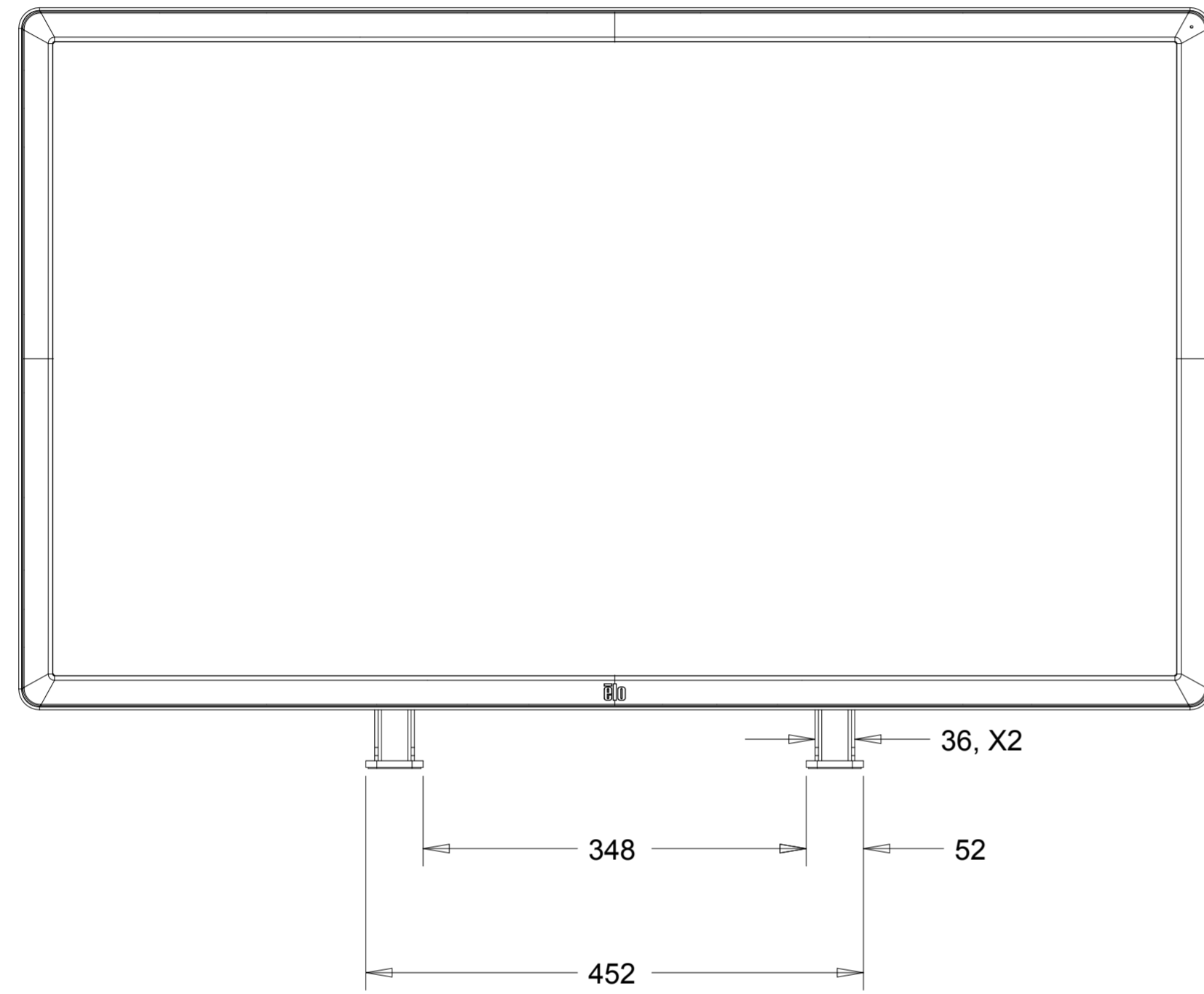
OPTIONAL EXTENSION SPACERS AND SCREWS (X4)
INCLUDED WITH ECM KIT

ECM CONNECTIONS ON SAME SIDE
AS IDS I/O CONNECTIONS

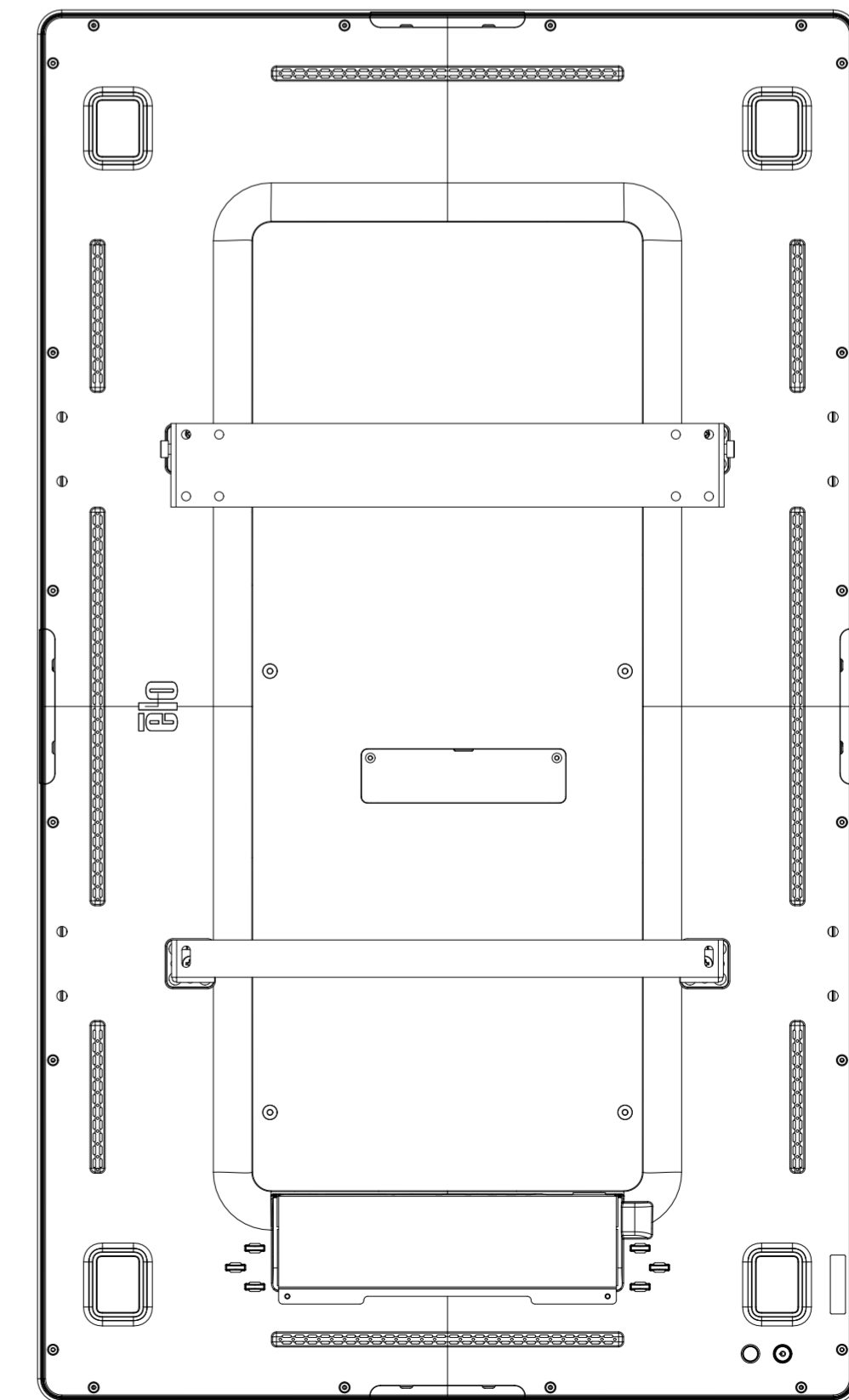
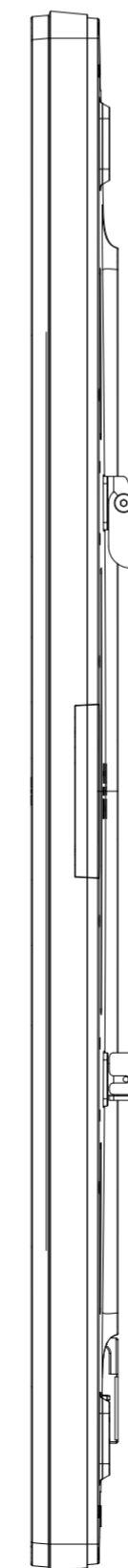
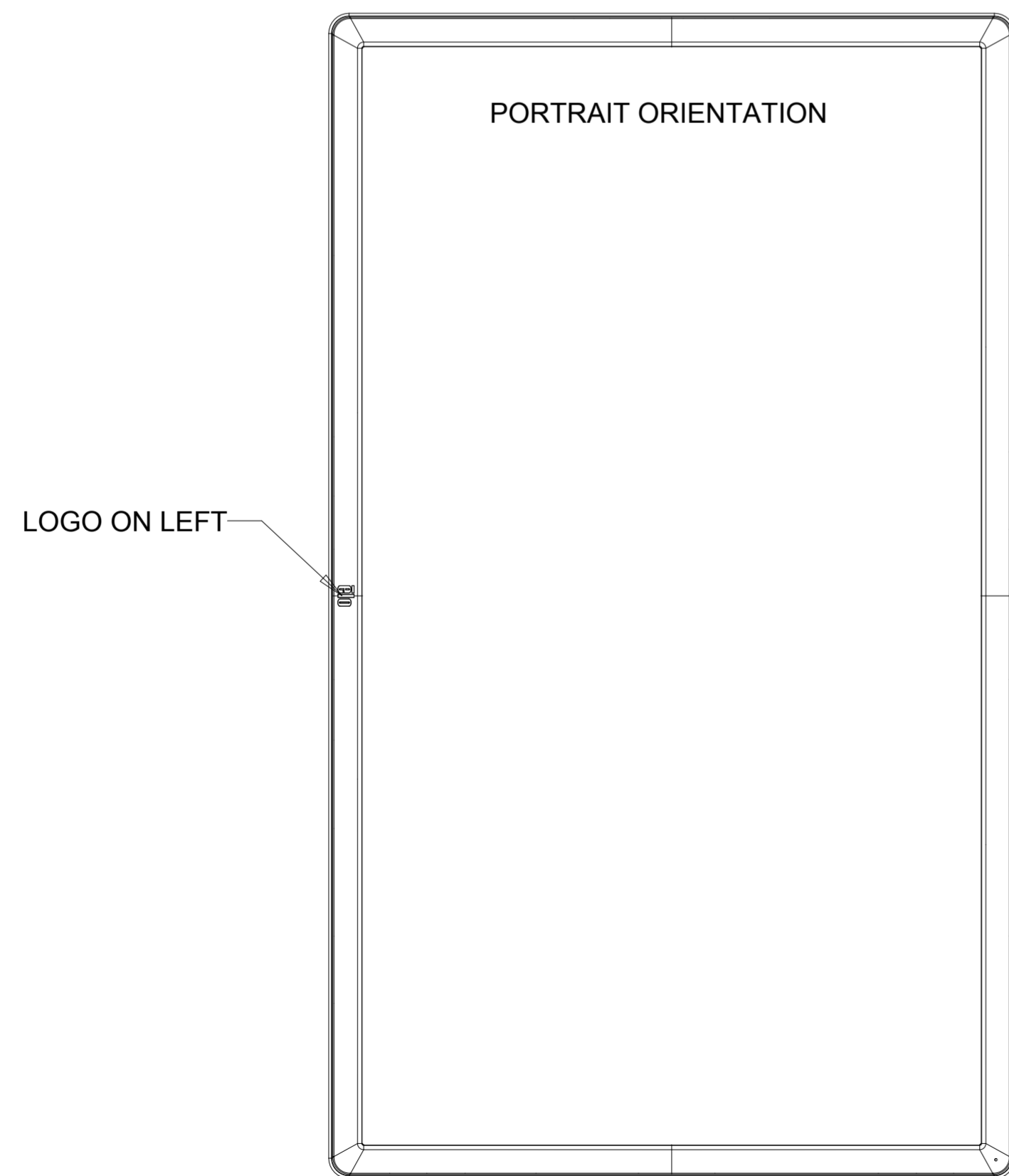
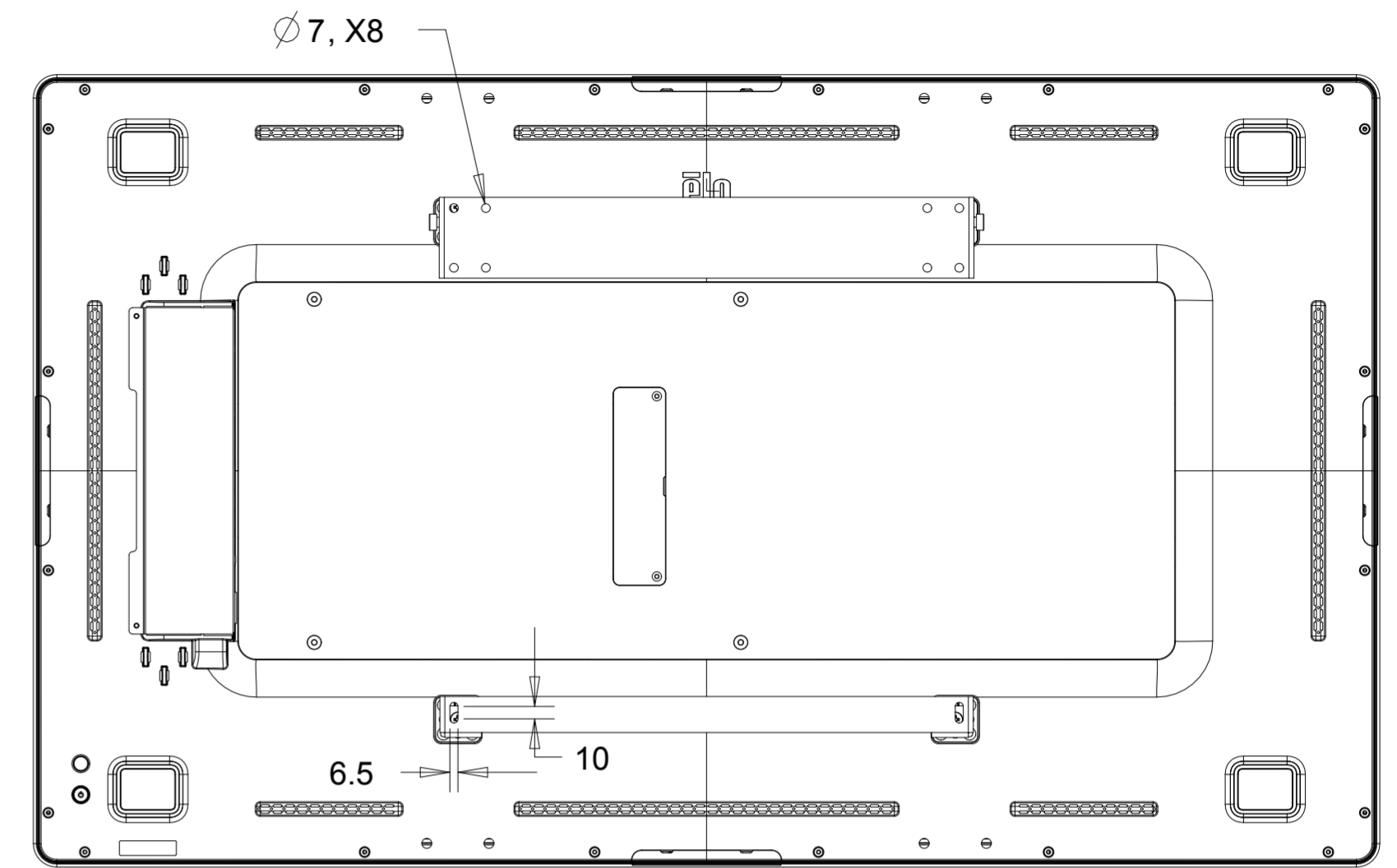
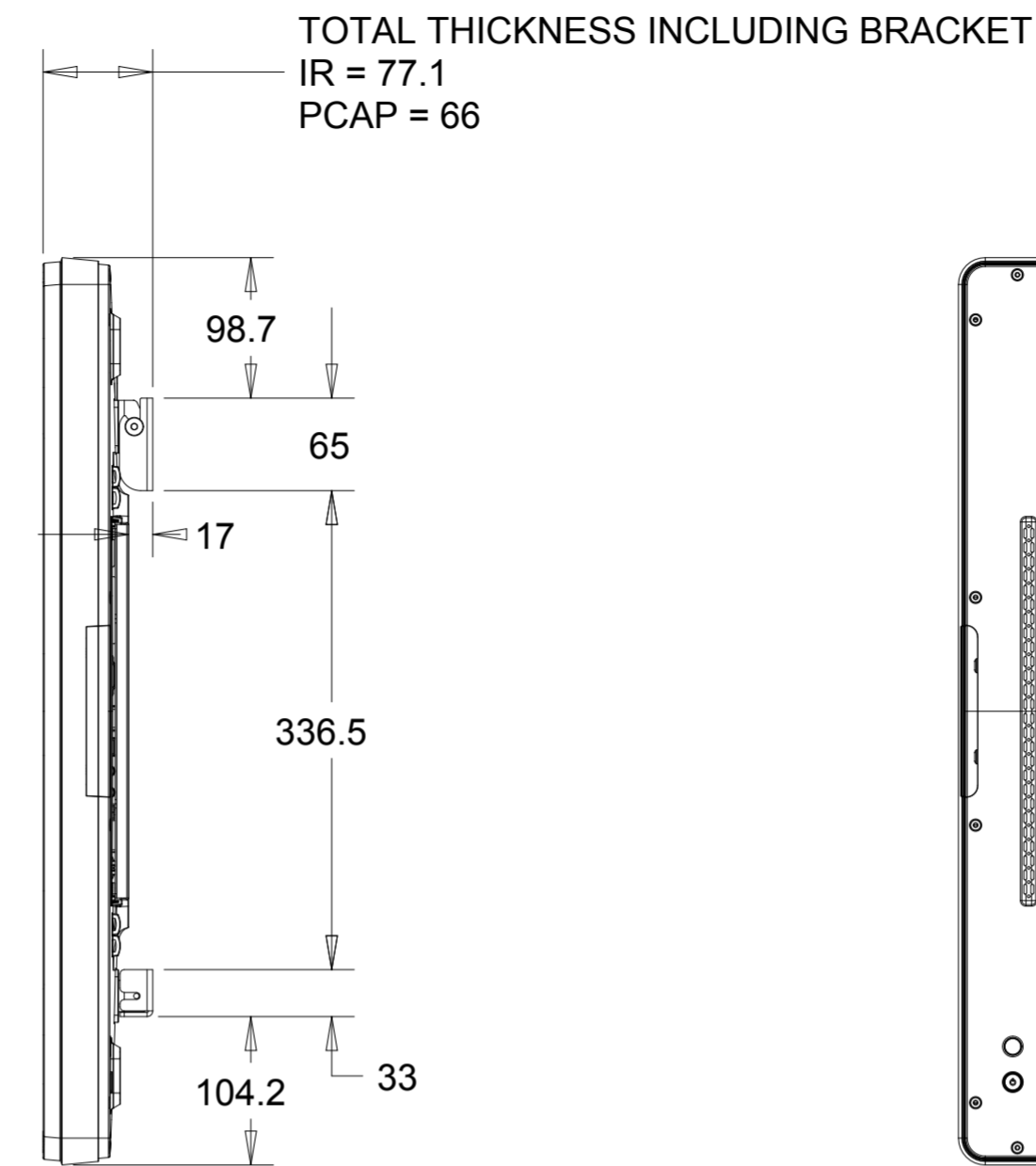
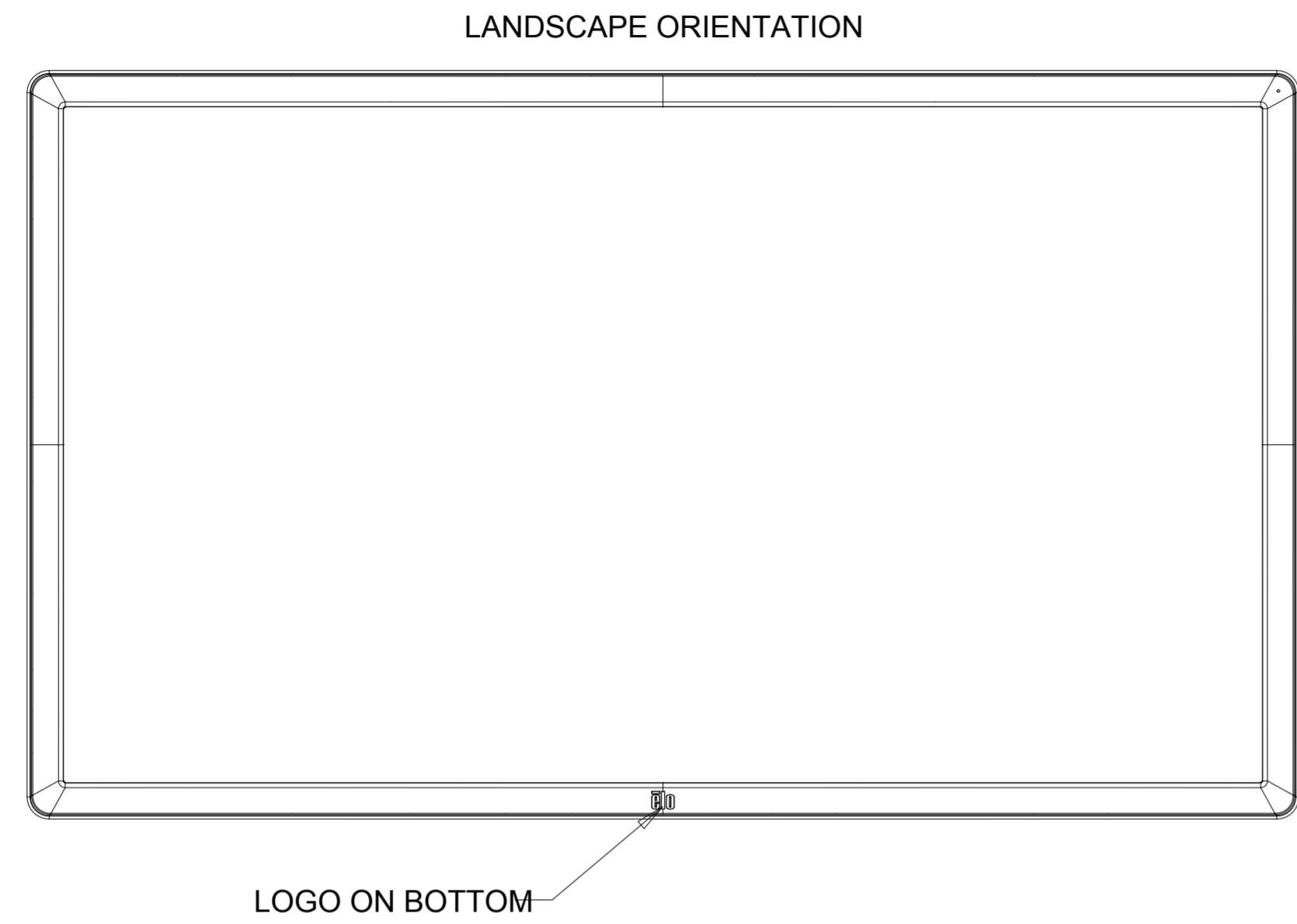


OPTIONAL STAND KIT P/N E275623

LANDSCAPE ORIENTATION
(PORTRAIT ORIENTATION NOT SUPPORTED)

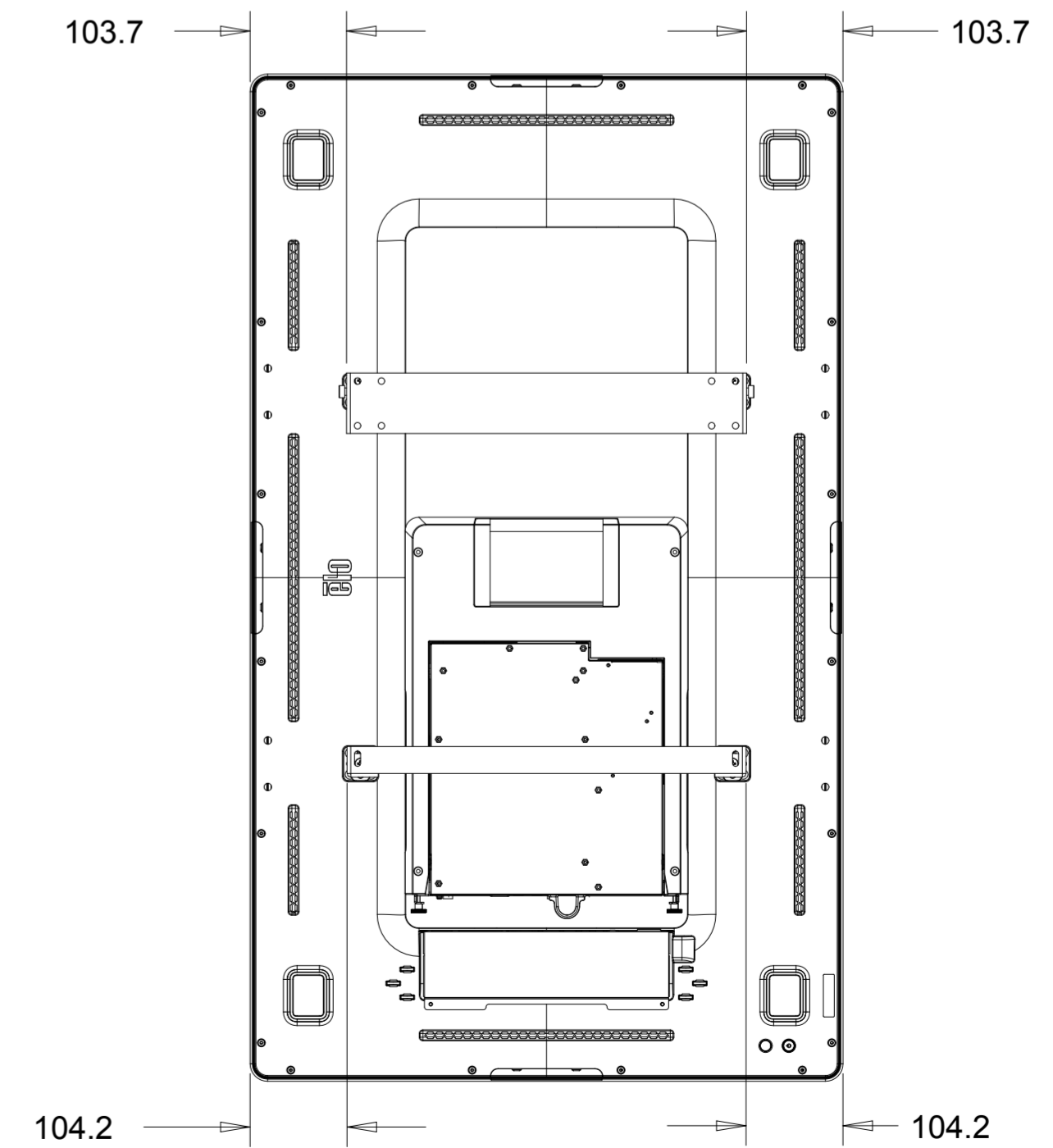
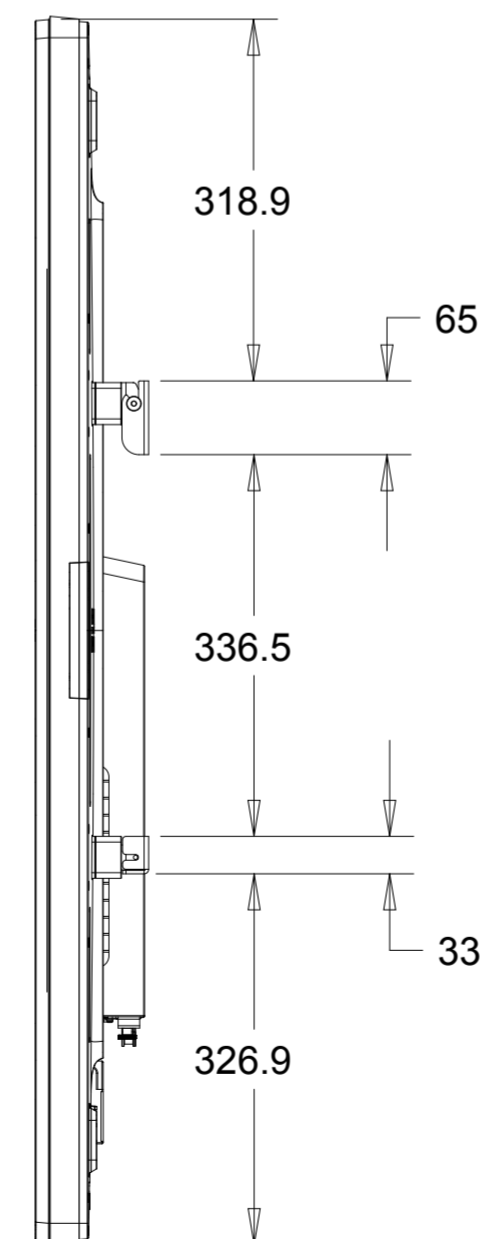
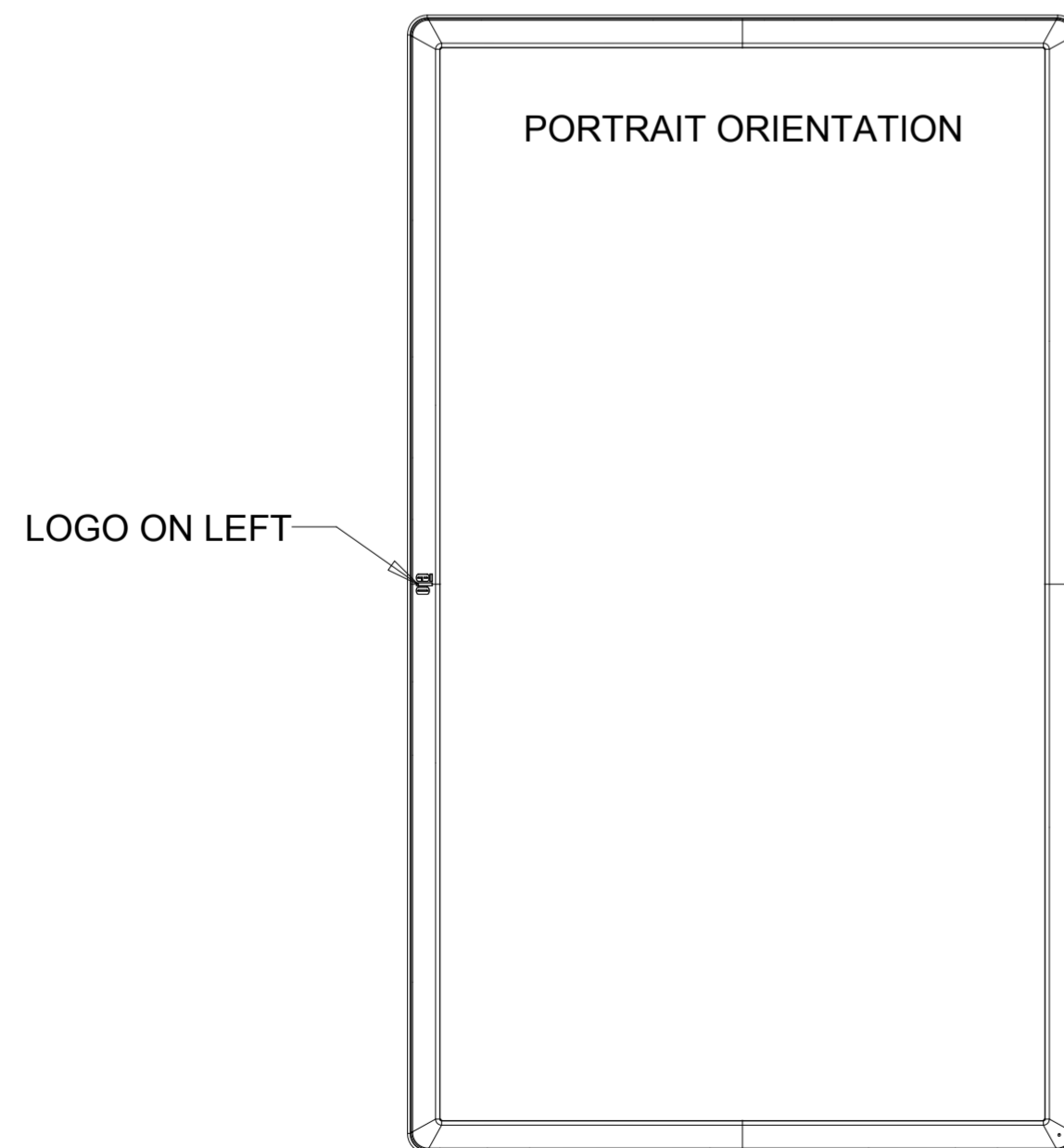
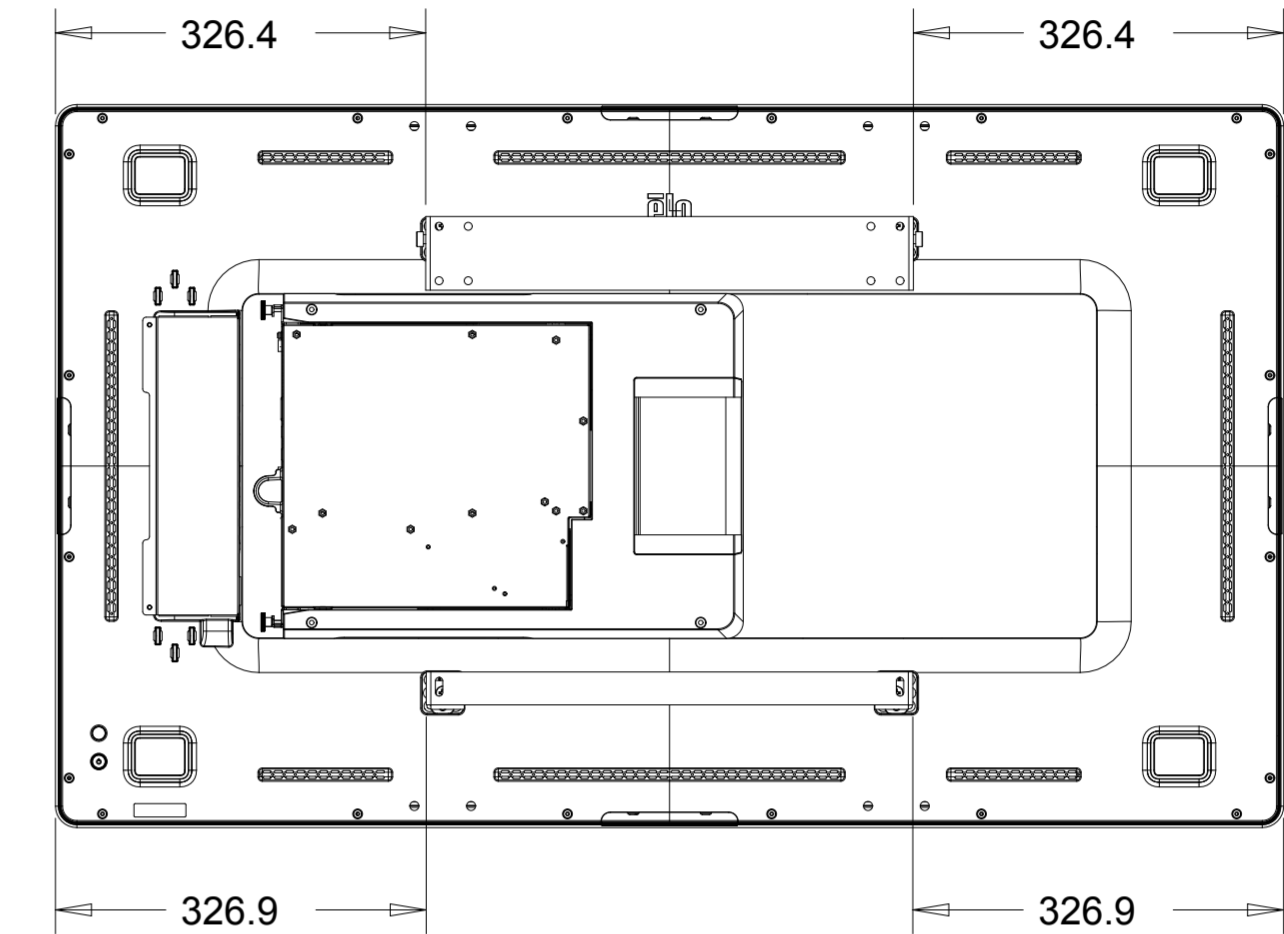
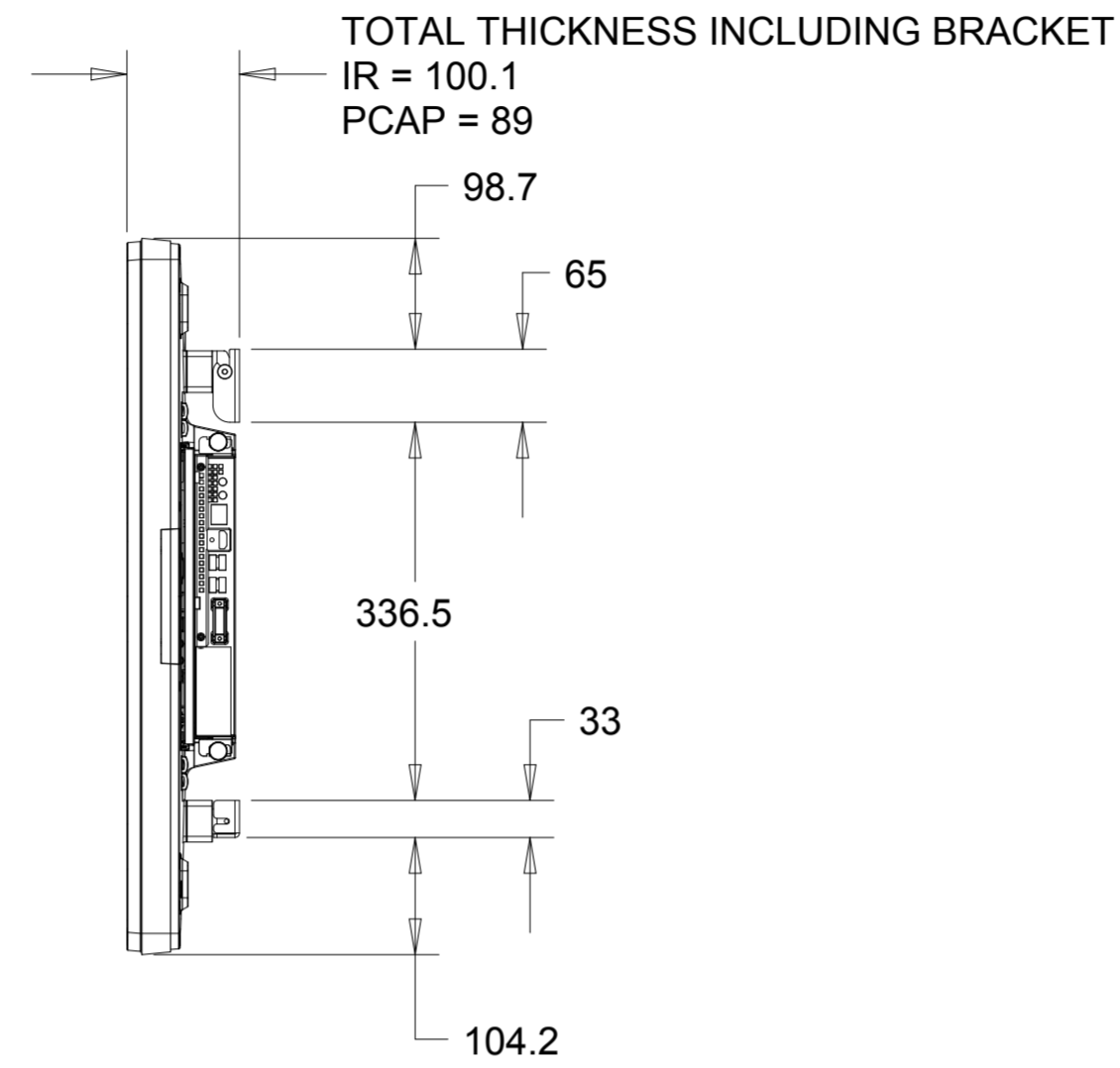
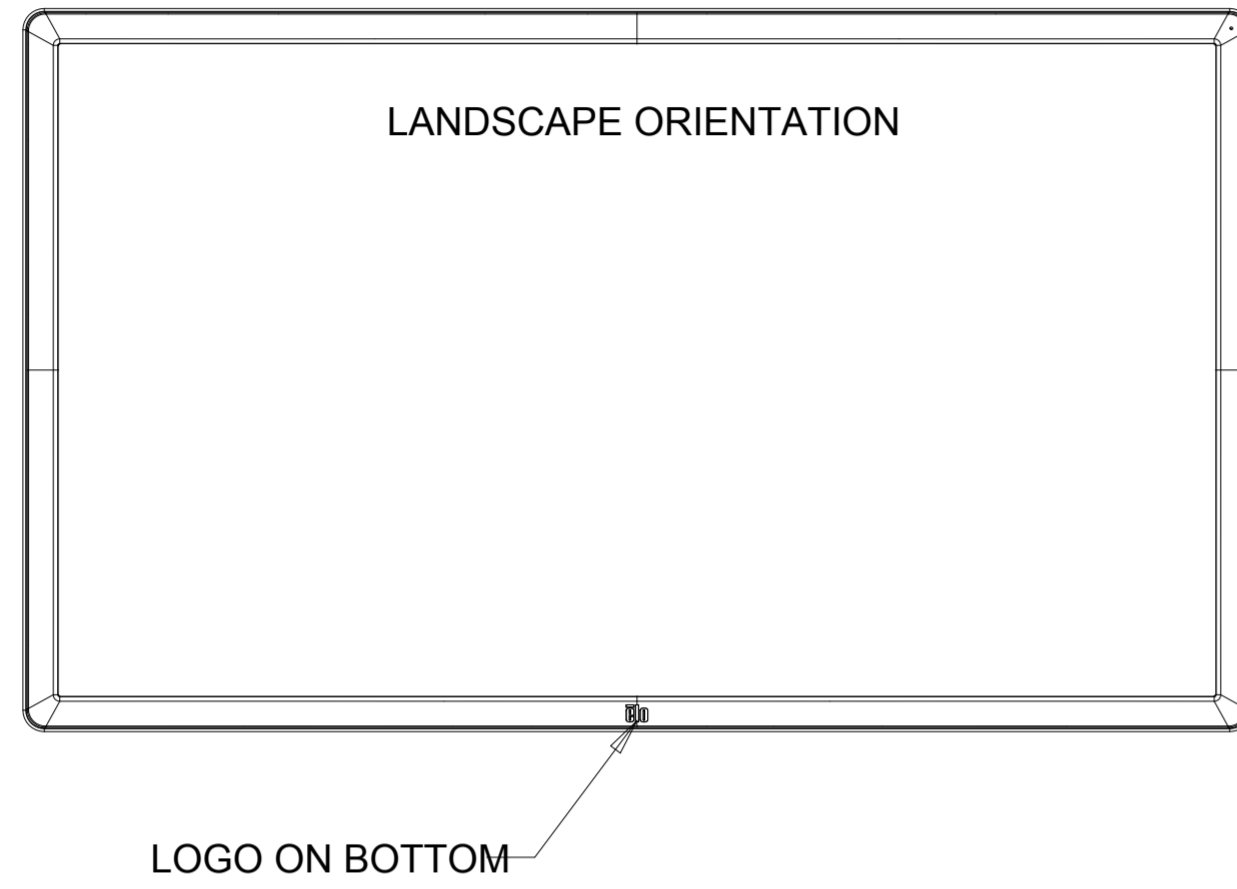


OPTIONAL LOW PROFILE WALLMOUNT KIT P/N E275050
SEE NEXT PAGE FOR DIMENSIONS WITH ECM KIT



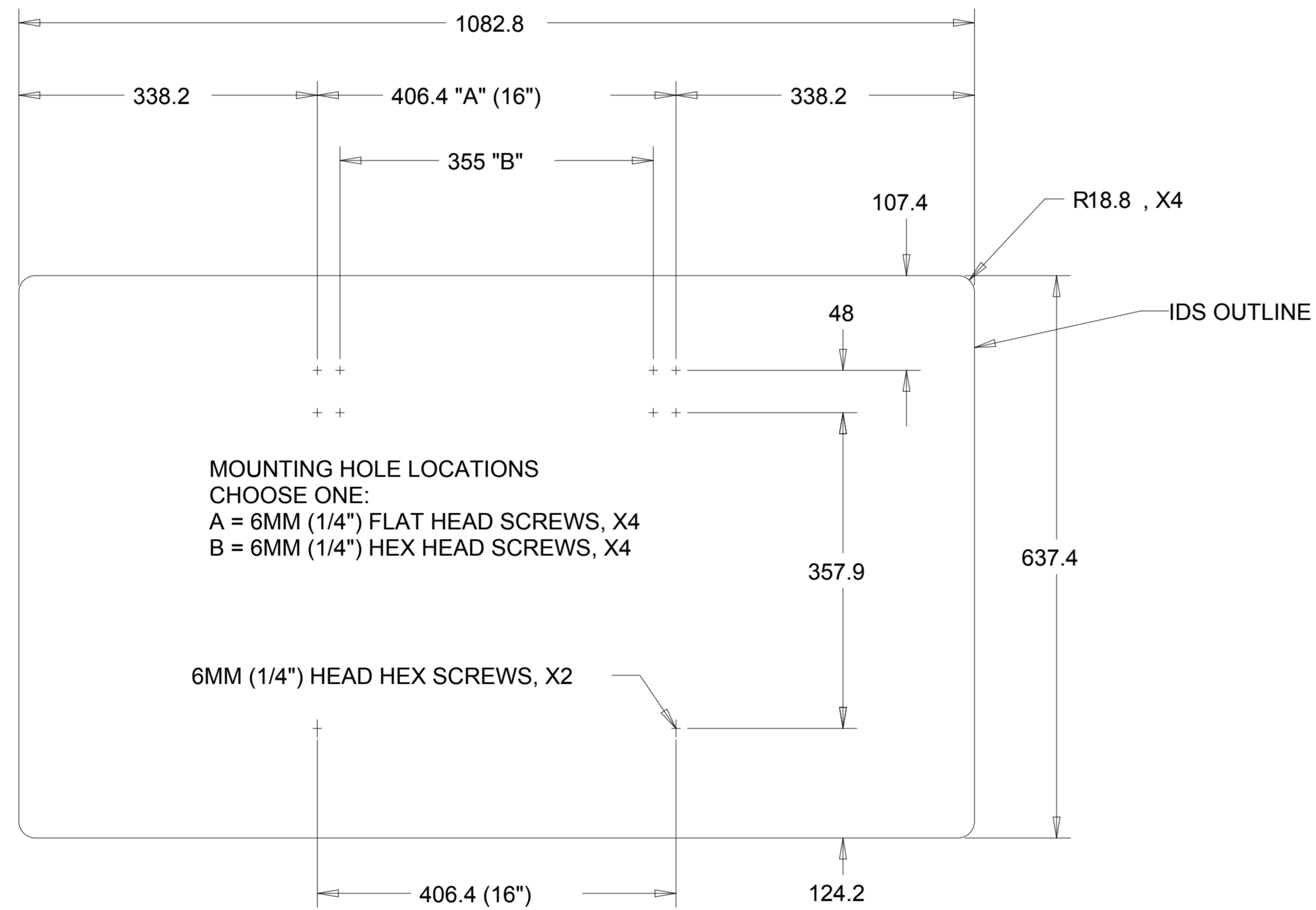
OPTIONAL LOW PROFILE WALLMOUNT KIT P/N E275050
WITH OPTIONAL ECM KIT.

SEE PREVIOUS PAGE FOR DIMENSIONS WITHOUT ECM KIT

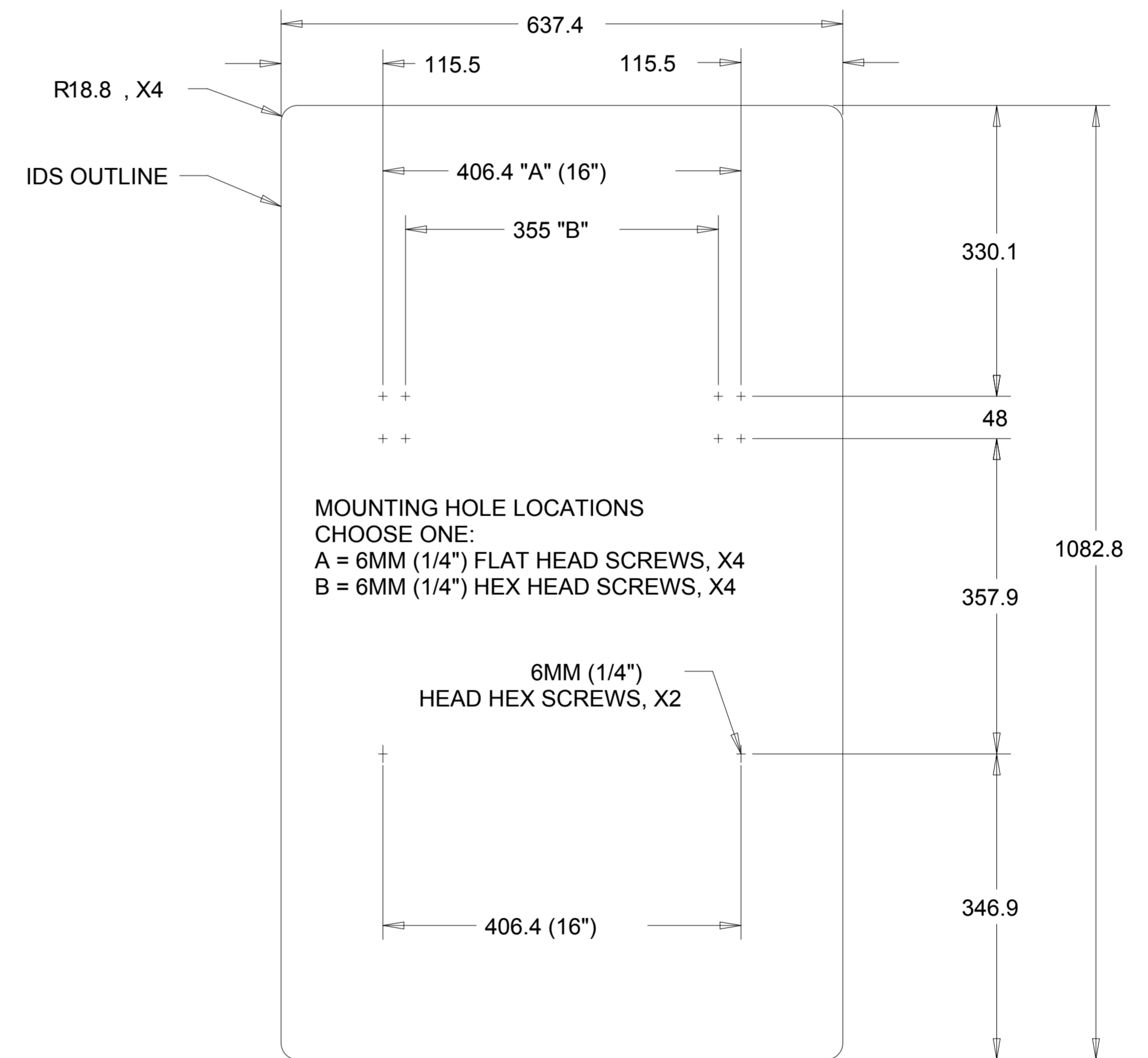


MOUNTING HOLE LOCATIONS FOR
 OPTIONAL LOW PROFILE WALLMOUNT KIT P/N E275050

LANDSCAPE ORIENTATION



PORTRAIT ORIENTATION



OPTIONAL SIDE MOUNT BRACKET KIT P/N E329508
 4 ADJUSTABLE BRACKETS INCLUDED IN KIT
 CUSTOMER ASSEMBLED

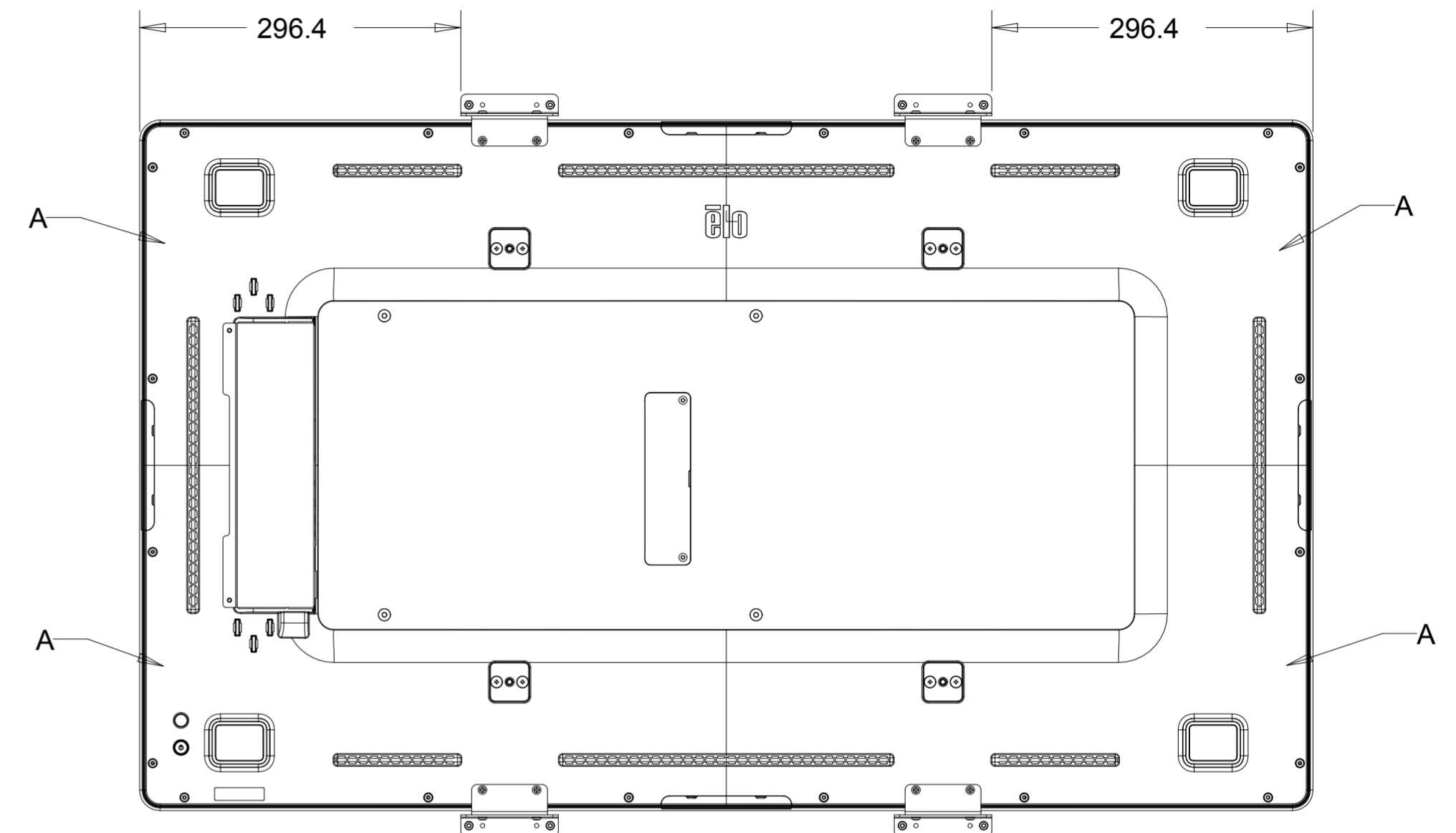
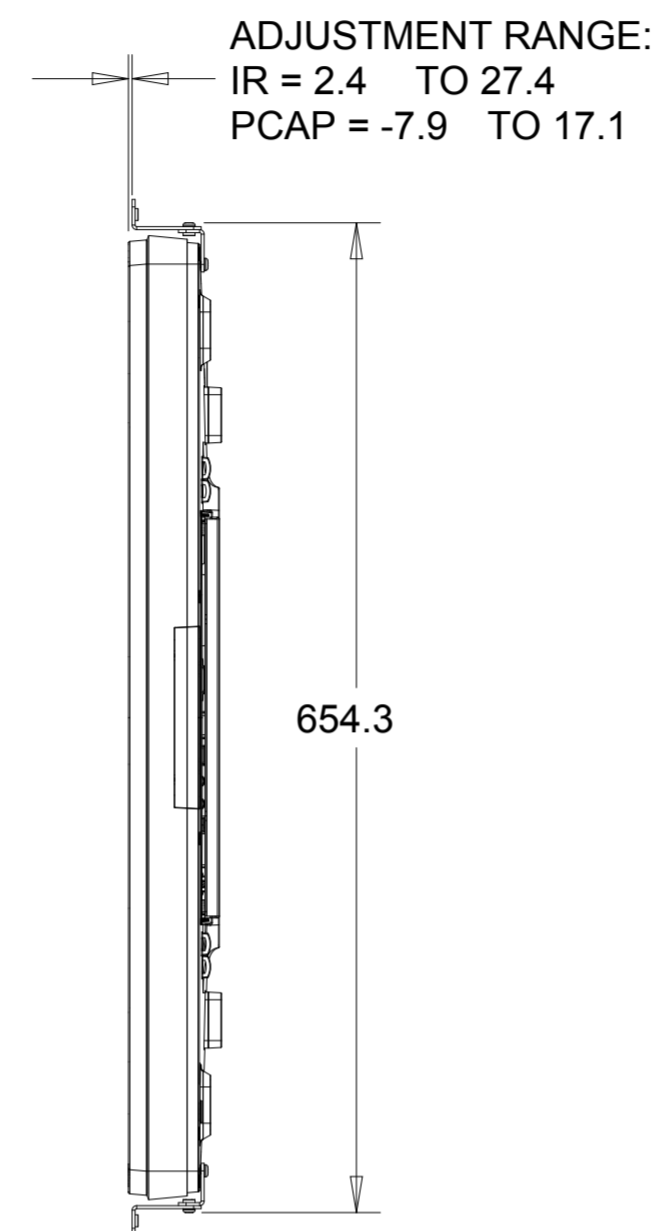
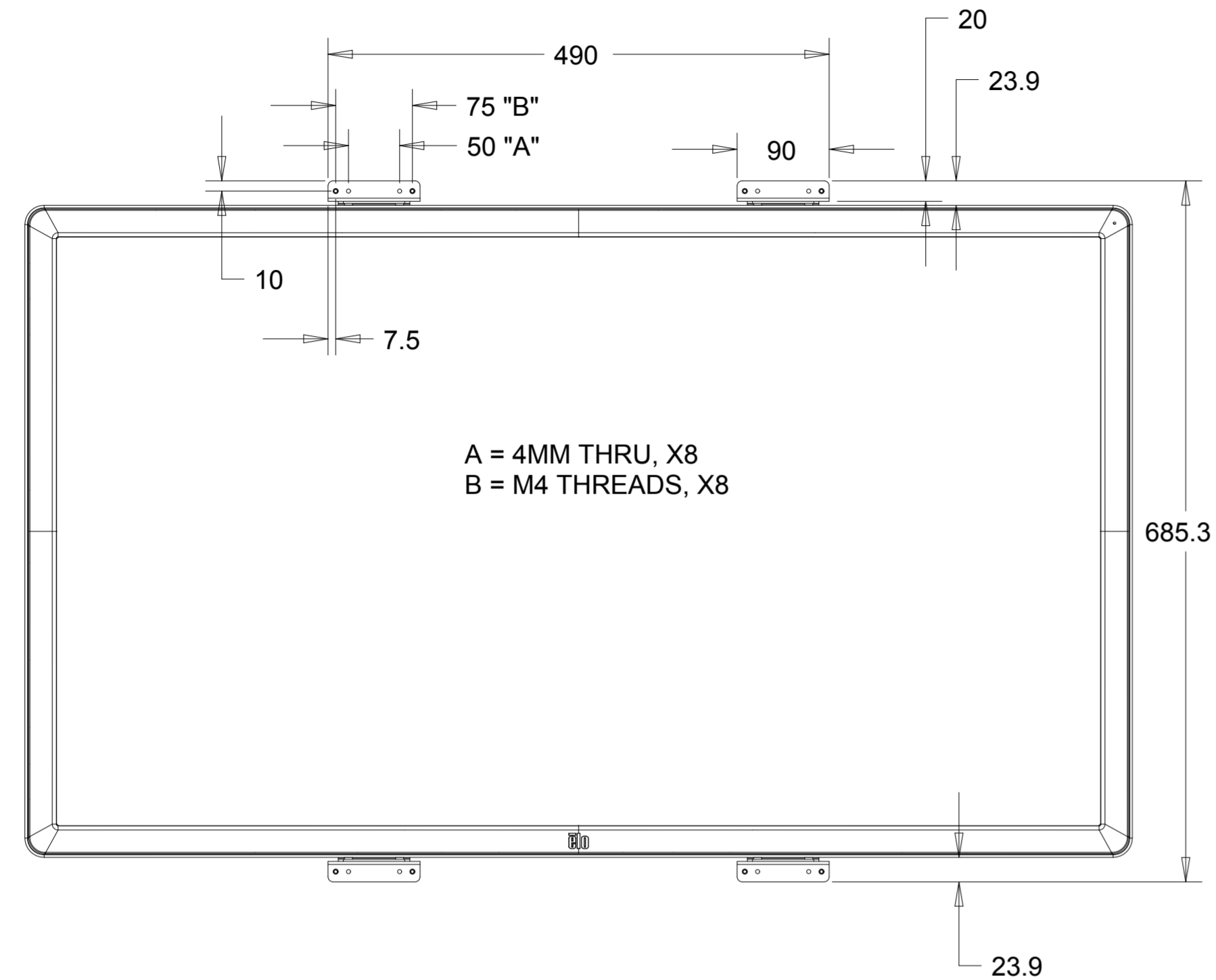
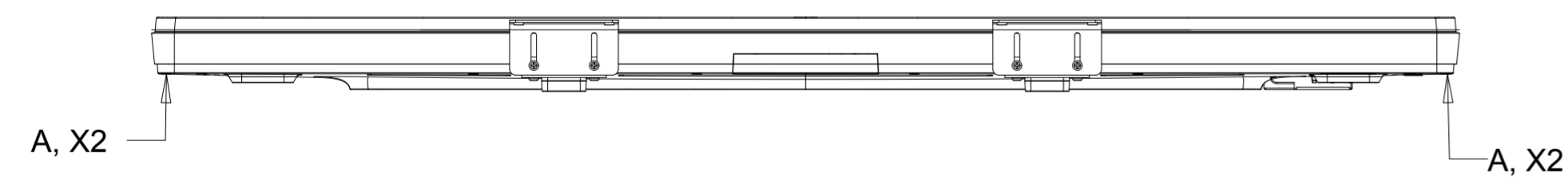


TABLE-TOP ORIENTATION



WARNING FOR TABLE-TOP MOUNTING ORIENTATION:
 LEFT AND RIGHT EDGES OF 4602L MUST BE SUPPORTED
 IN THE 4 LOCATIONS MARKED "A" TO PREVENT
 BENDING OVER TIME DUE TO GRAVITY